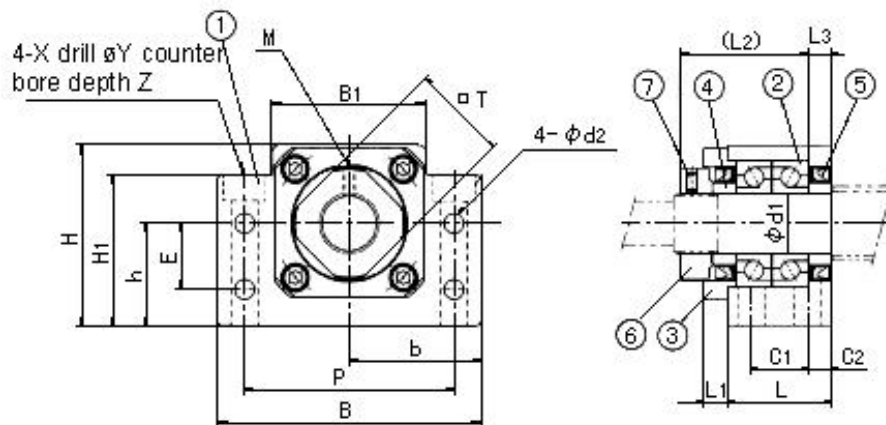


SYK,SONYUNG INDUSTRY CO.,LTD.

No.16 , Lane 117,Sec. 1,Chang-Nan Rd., Chang-Hua City, Chang-Hua Hsien, Taiwan TEL:886-4-7321236-8 FAX:886-4-7376030

Support Unit BK (fixed-side rectangular type)

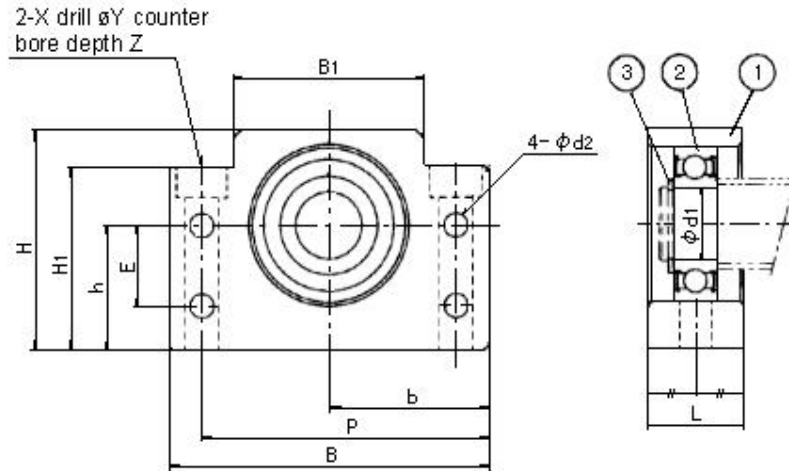


Part No.	Part name	Qty
1	Housing	1
2	Bearing	1 set
3	Hold ing lid	1
4	Coll ar	1
5	Seal	1 set
6	Lock nut	1
7	Hexagon socket-head Setscrew(with set piece)	1

Unit: mm

Model No.	Shaft diameter d1	L	L1	L2	L3	B	H	b ±0.02	h ±0.02	B1	H1	E	P	C1	C2	d2	X	Y	Z	M	T
BK10	10	25	6	29	5	60	39	30	22	34	32.5	15	46	13	6	5.5	6.6	11	5	M3	16
BK12	12	25	6	29	5	60	43	30	25	35	32.5	18	46	13	6	5.5	6.6	11	1.5	M3	19
BK15	15	27	6	32	6	70	48	35	28	40	38	18	54	15	6	5.5	6.6	11	6.5	M3	22
BK17	17	35	9	44	7	86	64	43	39	50	55	28	68	19	8	6.6	9	14	8.5	M4	24
BK20	20	35	8	43	8	88	60	44	34	52	50	22	70	19	8	6.6	9	14	8.5	M4	30
BK25	25	42	12	54	9	106	80	53	48	64	70	33	85	22	10	9	11	17.5	11	M5	35
BK30	30	45	14	61	9	128	89	64	51	76	78	33	102	23	11	11	14	20	13	M6	40
BK35	35	50	14	67	12	140	96	70	52	88	79	35	114	26	12	11	14	20	13	M8	50
BK40	40	61	18	76	15	160	110	80	60	100	90	37	130	33	14	14	18	26	17.5	M8	50

Support Unit BF (supported-side rectangular type)

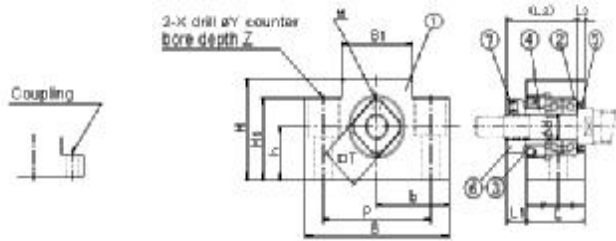


Part No.	Part name	Qty
1	Housing	1
2	Bearing	1 set
3	Snap ring	1

Unit: mm

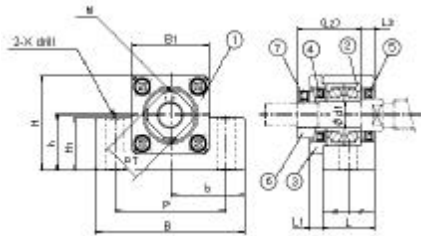
Model No..	Shaft diameter D1	L	B	H	b ± 0.02	h ± 0.02	B1	H1	E	P	d2	X	Y	Z	Bearing	Snap Ring
BF10	8	20	60	39	30	22	34	32.5	15	46	5.5	6.6	11	5	608ZZ	S 08
BF12	10	20	60	43	30	25	35	32.5	18	46	5.5	6.6	11	1.5	6000ZZ	S 10
BF15	15	20	70	48	35	28	40	38	18	54	5.5	6.6	11	6.5	6002ZZ	S 15
BF17	17	23	86	64	43	39	50	55	28	68	6.6	9	14	8.5	6203ZZ	S 17
BF20	20	26	88	60	44	34	52	50	22	70	6.6	9	14	8.5	6004ZZ	S 20
BF25	25	30	106	80	53	48	64	70	33	85	9	11	17.5	11	6205ZZ	S 25
BF30	30	32	128	89	64	51	76	78	33	102	11	14	20	13	6206ZZ	S 30
BF35	35	32	140	96	70	52	88	79	35	114	11	14	20	13	6207ZZ	S 35
BF40	40	37	160	110	80	60	100	90	37	130	14	18	26	17.5	6208ZZ	S 40

Support Unit EK (fixed-side rectangular type)



EK4,5

EK6, 8



EK10~20

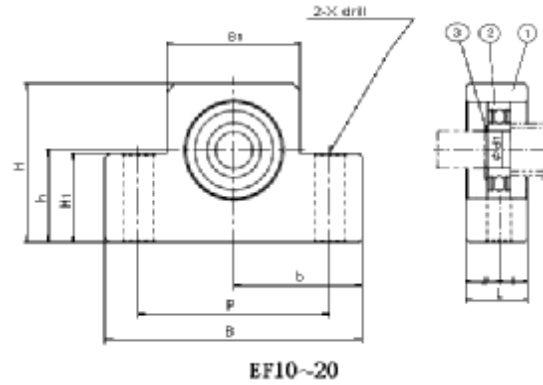
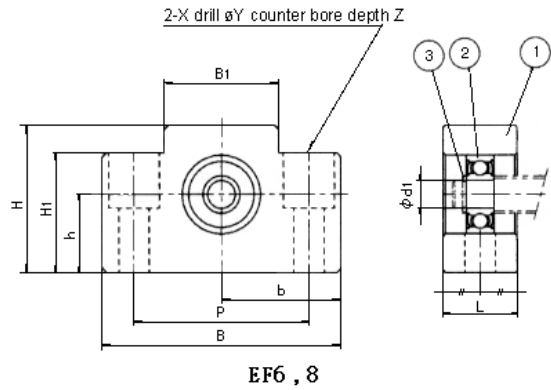
Part No.	Part name	Qty
1	Housing	1
2	Bearing	1 set
3	Hold ing lid	1
4	Col lar	1
5	Seal	1(2)
6	Lock nut	1
7	Hexagon socket-head Setscrew(with set piece)	1

Unit : mm

Model No.	Shaft diameter d1	L	L1	L2	L3	B	H	b ±0.02	h ±0.02	B1	H1	P	X	Y	Z	M	T
*EK04	4	15	5.5	17.5	3	34	19	17	10	18	7	26	4.5	—	—	M3	10
*EK05	5	16.5	5.5	18.5	3.5	36	21	18	11	20	8	28	4.5	—	—	M3	11
*EK06	6	20	5.5	22	3.5	42	25	21	13	18	20	30	5.5	9.5	11	M3	12
EK08	8	23	7	26	4	52	32	26	17	25	26	38	6.6	11	12	M3	14
EK10	10	24	6	29.5	6	70	43	35	25	36	24	52	9	—	—	M3	16
EK12	12	24	6	29.5	6	70	43	35	25	36	24	52	9	—	—	M3	19
EK15	15	25	6	36	5	80	49	40	30	41	25	60	11	—	—	M3	22
EK20	20	42	10	50	10	95	58	47.5	30	56	25	75	11	—	—	M4	30

NOTE:Remark” * ”products are made-to-order.

Support Unit EF (supported-side rectangular type)



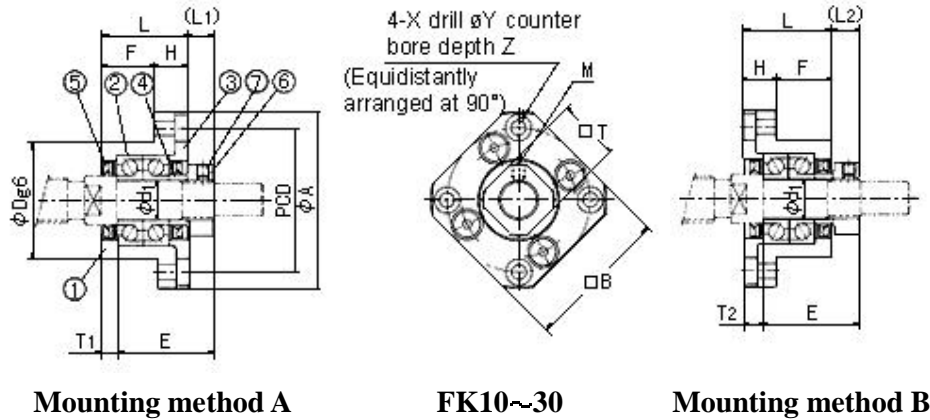
Part No.	Part name	Qty
1	Housing	1
2	Bearing	1
3	Snap ring	1

Unit: mm

Model No.	Shaft diameter d1	L	B	H	b ±0.02	h ±0.02	B1	H1	P	X	Y	Z	Bearing	Snap Ring
*EF06	6	12	42	25	21	13	18	20	30	5.5	9.5	11	606ZZ	S 06
EF08	6	14	52	32	26	17	25	26	38	6.6	11	12	606ZZ	S 06
EF10	8	20	70	43	35	25	36	24	52	9	—	—	608ZZ	S 08
EF12	10	20	70	43	35	25	36	24	52	9	—	—	6000ZZ	S 10
EF15	15	20	80	49	40	30	41	25	60	9	—	—	6002ZZ	S 15
EF20	20	26	95	58	47.5	30	56	25	75	11	—	—	6204ZZ	S 20

NOTE: Remark * products are made-to-order.

Support Unit FK (fixed-side round type)

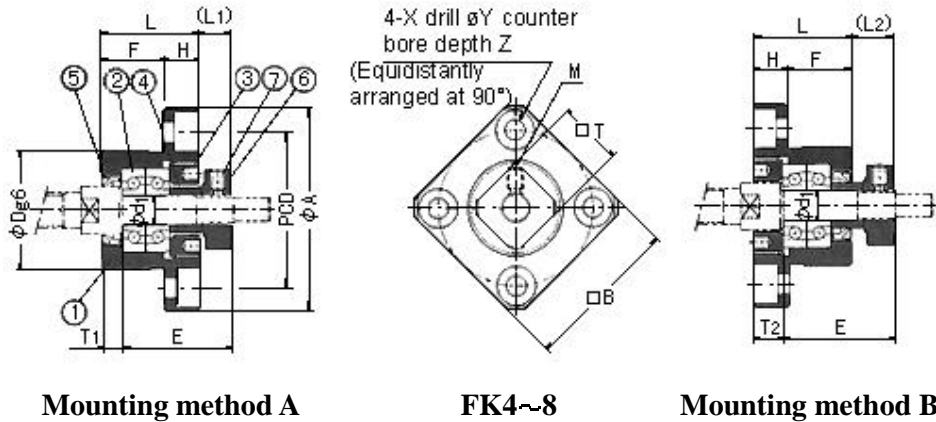


Part No.	Part name	Qty
1	Housing	1
2	Bearing	1 set
3	Holding lid	1
4	Collar	1
5	Seal	1 set
6	Lock nut	1
7	Hexagon socket-head Setscrew(with set piece)	1

Unit : mm

Model No.	Shaft diameter d1	L	H	F	E	D	A	PCD	B	Mounting method A		Mounting method B		X	Y	Z	M	T
										L1	T1	L2	T2					
FK10	10	27	10	17	29.5	34-0.009 -0.025	52	42	42	7.5	5	8.5	6	4.5	8	4	M3	16
FK12	12	27	10	17	29.5	36-0.009 -0.025	54	44	44	7.5	5	8.5	6	4.5	8	4	M3	19
FK15	15	32	15	17	36	40-0.009 -0.025	63	50	52	10	6	12	8	5.5	9.5	6	M3	22
FK20	20	52	22	30	50	57-0.010 -0.029	85	70	68	8	10	12	14	6.6	11	10	M4	30
FK25	25	57	27	30	60	63-0.010 -0.029	98	80	79	13	10	20	17	9	15	13	M5	35
FK30	30	62	30	32	61	75-0.010 -0.029	117	95	93	11	12	17	18	11	17.5	15	M6	40

Support Unit FK (fixed-side round type)



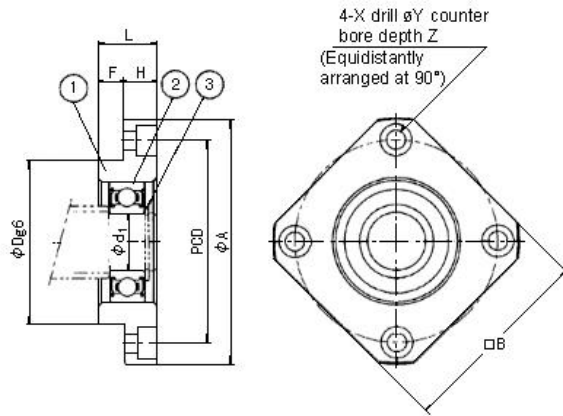
Part No.	Part name	Qty
1	Housing	1
2	Bearing	1 set
3	Hold ing lid	1
4	Collar	2
5	Seal	1
6	Lock nut	1
7	Hexagon socket-head Setscrew(with set piece)	1

Unit: mm

Model No	Shaft diameter d1	L	H	F	E	D	A	PCD	B	Mounting method A		Mounting method B		X	Y	Z	M	T
										L1	T1	L2	T2					
*FK04	4	15	6	9	17.5	18-0.006 -0.017	32	24	25	5.5	3	6.5	4	3.4	6.5	4	M2.6	10
*FK05	5	16.5	6	10.5	18.5	20-0.007 -0.020	34	26	26	5.5	3.5	7	5	3.4	6.5	4	M2.6	11
*FK06	6	20	7	13	22	22-0.007 -0.020	36	28	28	5.5	3.5	8.5	6.5	3.4	6.5	4	M3	12
FK08	8	23	9	14	26	28-0.007 -0.020	43	35	35	7	4	10	7	3.4	6.5	4	M3	14

NOTE:Remark” * “ products are made-to-order .

Support Unit FF (supported-side round type)



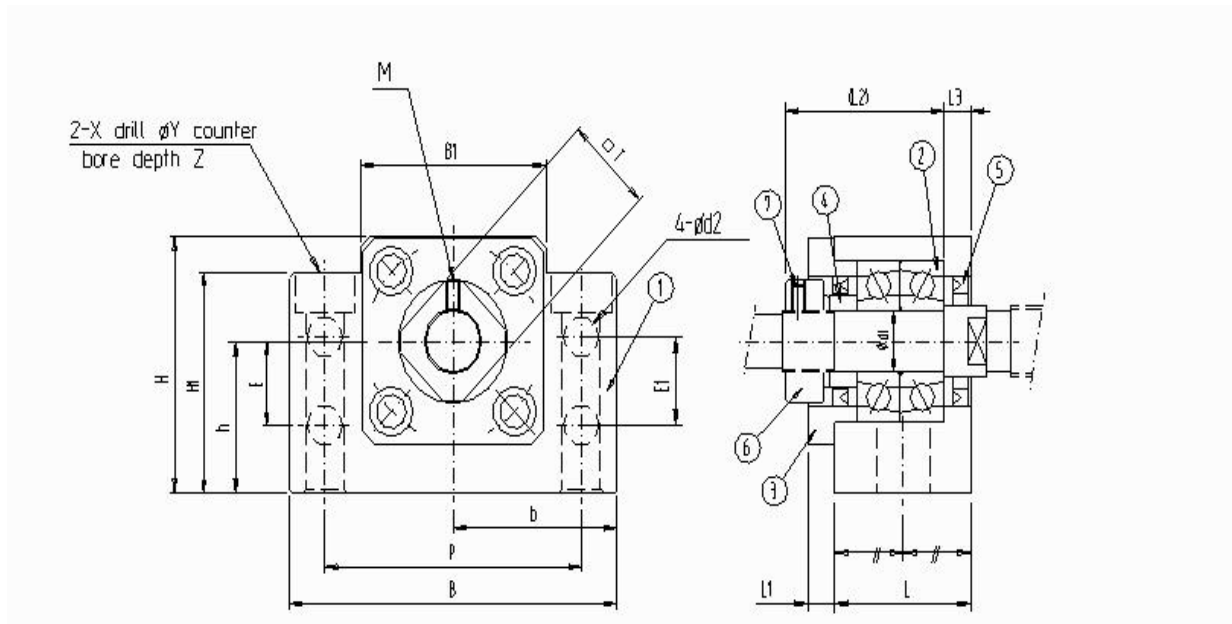
Part No.	Part name	Qty
1	Housing	1
2	Bearing	1
3	Snap ring	1

Unit : mm

Model No.	Shaft diameter d1	L	H	F	D	A	PCD	B	X	Y	Z	Bearing	Snap Ring
*FF06	6	10	6	4	22 ^{-0.007} _{-0.020}	36	28	28	3.4	6.5	4	606ZZ	S 06
FF10	8	12	7	5	28 ^{-0.007} _{-0.020}	43	35	35	3.4	6.5	4	608ZZ	S 08
FF12	10	15	7	8	34 ^{-0.009} _{-0.025}	52	42	42	4.5	8	4	6000ZZ	S 10
FF15	15	17	9	8	40 ^{-0.009} _{-0.025}	63	50	52	5.5	9.5	5.5	6002ZZ	S 15
FF20	20	20	11	9	57 ^{-0.010} _{-0.029}	85	70	68	6.6	11	6.5	6204ZZ	S 20
FF25	25	24	14	10	63 ^{-0.010} _{-0.029}	98	80	79	9	14	8.5	6205ZZ	S 25
FF30	30	27	18	9	75 ^{-0.010} _{-0.029}	117	95	93	11	17.5	11	6206ZZ	S 30

NOTE:Remark * “ products are made in accordance with customer order.

Support Unit AK (fixed-side rectangular type)

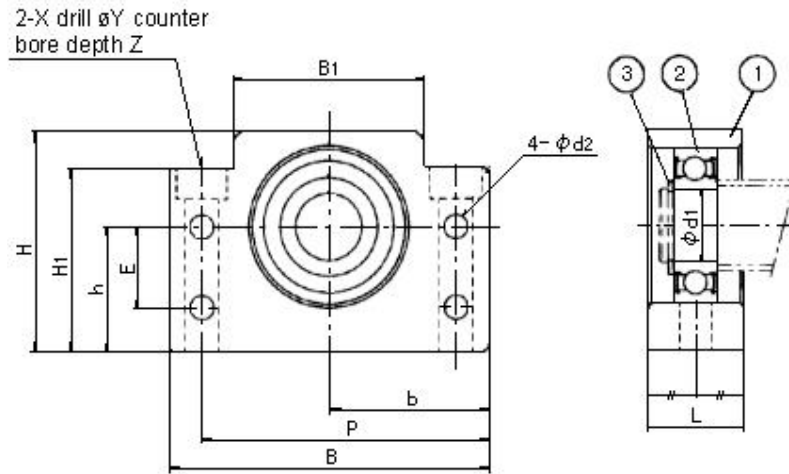


Part No.	Part name	Qty
1	Housing	1
2	Bearing	1 set
3	Hold ing lid	1
4	Col lar	1
5	Seal	1 set
6	Lock nut	1
7	Hexagon socket-head Setscrew(with set piece)	1

Unit: mm

Model NO.	Shaft diameter d1	L	L1	L2	L3	B	H	b ±0.02	h ±0.02	B1	H1	E 1	P	E	d2	X	Y	Z	M	T
AK10	10	24	6	29	6	70	43	35	25	36	35	19	52	15	6.5	9	14	11	M3	16
AK12	12	24	6	29	6	70	43	35	25	36	35	19	52	15	6.5	9	14	11	M3	19
AK15	15	25	6	32	5	70	50	40	30	41	40	19	60	15	6.5	11	17	15	M3	22

Support Unit AF (supported-side rectangular type)



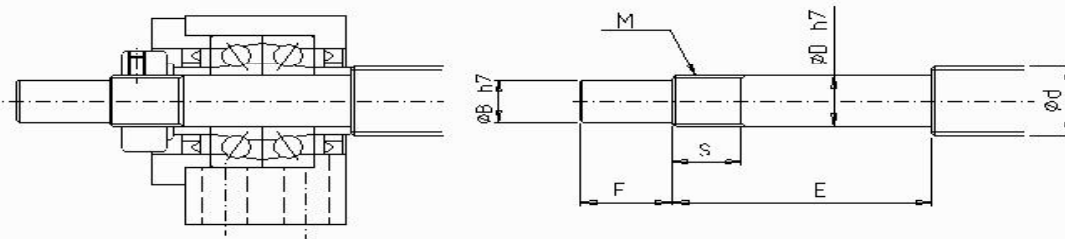
Part No.	Part name	Qty
1	Housing	1
2	Bearing	1 set
3	Snap ring	1

Model No.	Shaft diameter $d1$	L	B	H	b ± 0.02	h ± 0.02	B1	H1	E	P	d2	X	Y	Z	Bearing	Snap Ring
AF10	8	20	70	43	35	25	36	35	19	52	6.5	9	14	11	608ZZ	S 08
AF12	10	20	70	43	35	25	36	35	19	52	6.5	9	14	11	6000ZZ	S 10
AF15	15	20	80	49	40	30	41	40	19	60	6.5	9	14	11	6002ZZ	S 15

Support Units Model No. & Bearing Type Comparison Table

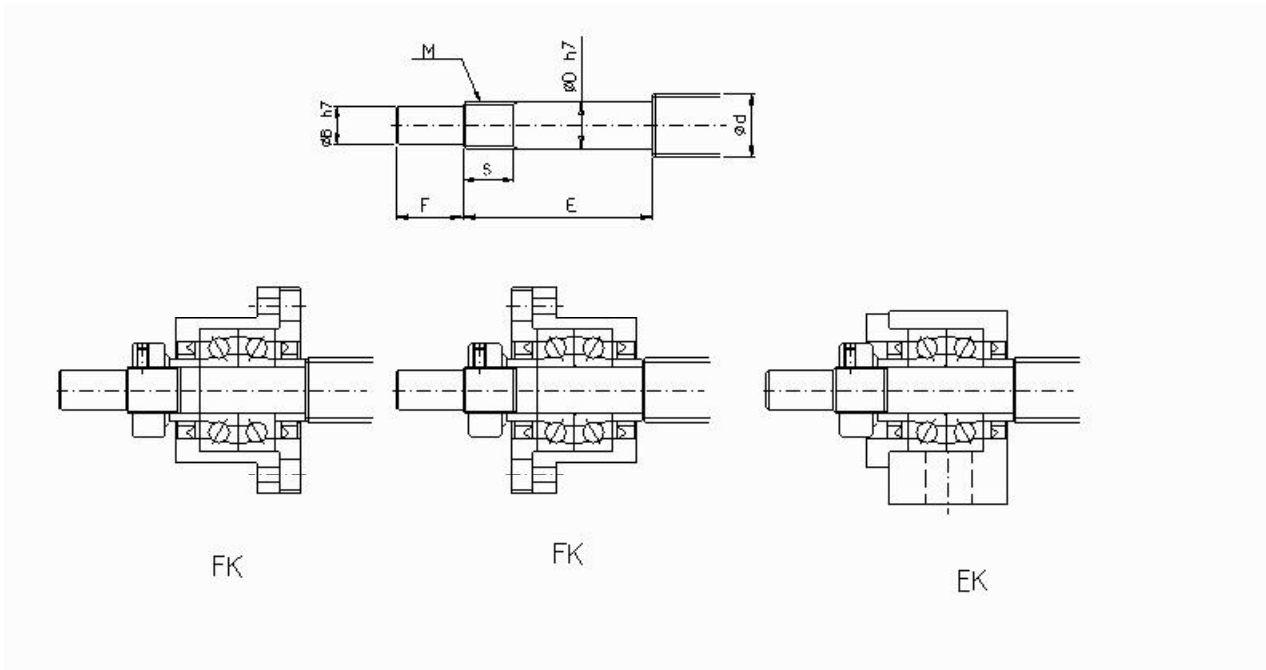
Fixed-side angular contact ball bearing				Supported-side deep groove ball bearing	
Support Unit Model No.	Bearing type Model No.	Support Unit Model No.	Bearing type Model No.	Support Unit Model No.	Bearing type Model No.
EK6-P FK6-P	706ATY DFC7P5	EK6 FK6	NSK606DFP0	EF8	NSK606ZZ
EK8-P FK8-P	708ATY DFC8P5	EK8 FK8	NSK608DFP0	EF8	NSK606ZZ
EK10-P FK10-P BK10-P	7000ATY DFC8P5	EK10 FK10 BK10	NSK7000AWDFP0	EF10 FF10 BF10	NSK608ZZ
EK12-P FK12-P BK12-P	7001ATY DFC8P5	EK12 FK12 BK12	NSK7001AWDFP0	EF12 FF12 BF12	NSK6000ZZ
EK15-P FK15-P BK15-P	7002ATY DFC8P5	EK15 FK15 BK15	NSK7002AWDFP0	EF15 FF15 BF15	NSK6002ZZ
BK17-P	7203ATY DFC8P5	BK17	NSK7203AWDFP0	BF17	NSK6203ZZ
EK20-P FK20-P	7204ATY DFC8P5	EK20 FK20	NSK7204AWDFP0	EF20 FF20	NSK6204ZZ
BK20-P	7004ATY DFC7P5	BK20	NSK7004AWDFP0	BF20	NSK6004ZZ
BK25-P FK25-P	7205ATY DFC8P5	BK25 FK25	NSK7205AWDFP0	BF25 FF25	NSK6205ZZ
BK30-P FK30-P	7206ATY DFC8P5	BK30 FK30	NSK7206AWDFP0	BF30 FF30	NSK6206ZZ
BK35-P	7207CTY DFC7P5	BK35	NSK7207AWDFP0	BF35	NSK6207ZZ
BK40-P	7208CTY DFC8P5	BK40	NSK7208AWDFP0	BF40	NSK6208ZZ

Type of Support Units and applicable Screw-shaft diameters				
Fixed-side support unit ID(mm)	Fixed-side support unit applicable model	Supported-side support unit ID(mm)	Supported-side support unit applicable model	Applicable screw shaft OD (mm)
4	EK4 FK4	---	---	§ 4
5	EK5 FK5	---	---	§ 6
6	EK6 FK6	6	EF6 FF6	§ 8
8	EK8 FK8	6	EF8 FF6	§ 10
10	EK10 FK10 BK10	8	EF10 FF10 BF10	§ 10, § 12, § 14
12	EK12 FK12 BK12	12	EF12 FF12 BF12	§ 14, § 15, § 16
15	EK15 FK15 BK15	15	EF15 FF15 BF15	§ 20
17	BK17	17	BF17	§ 20, § 25
20	EK20 FK20 BK20	20	EF20 FF20 BF20	§ 25, § 28
25	FK25 BK25	25	FF25 BF25	§ 32, § 36
30	FK30 BK30	30	FF30 BF30	§ 40, § 45
35	BK35	35	BF35	§ 45
40	BK40	40	BF40	§ 50

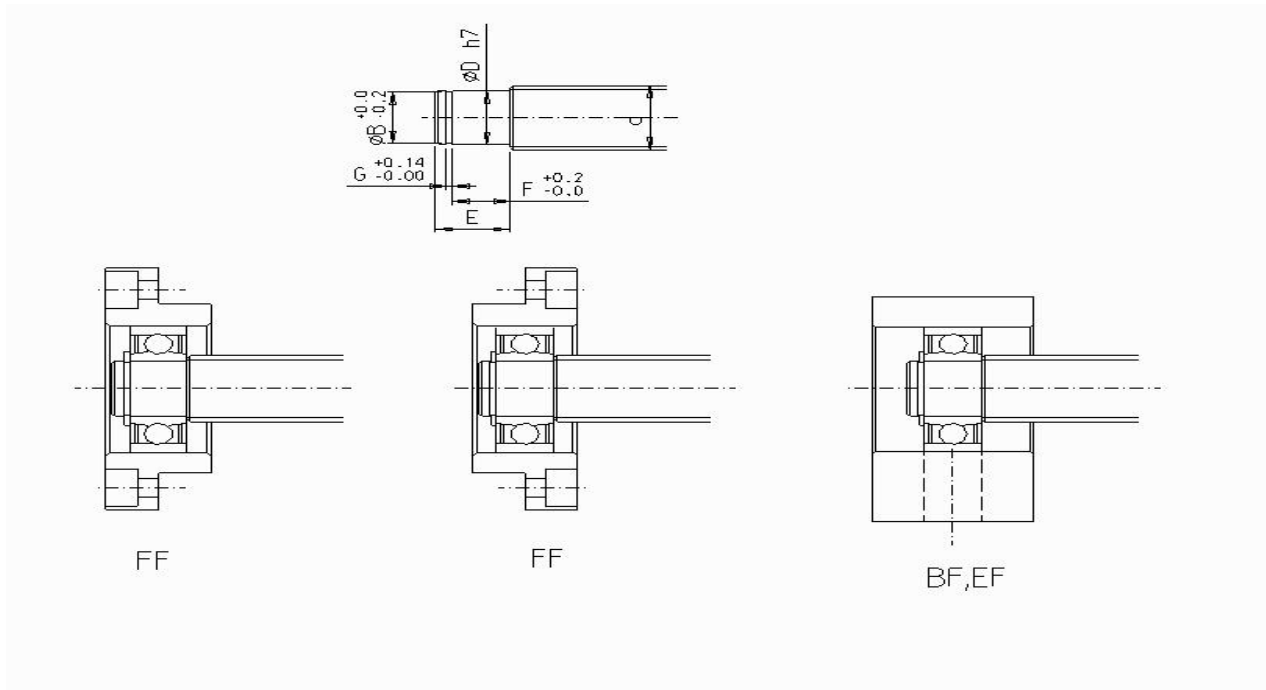


BK

Recommended shaft end shape(Fixed-side) for Support Units typesBK						Unit: mm	
Support unit model No.	Ballscrew shaft OD	support portion OD				Metric screw thread	
Type BK	d	D	B	E	F	M	S
BK10	14/15	10	8	39	15	M10*1	16
BK12	16/18	12	10	39	15	M12*1	14
BK15	20	15	12	40	20	M15*1	12
BK17	25	17	15	53	23	M17*1	17
BK20	28/30/32	20	17	53	25	M20*1	15
BK25	36	25	20	65	30	M25*1.5	18
BK30	40	30	25	72	38	M30*1.5	25
BK35	45	35	30	83	45	M35*1.5	28
BK40	50/55	40	35	98	50	M40*1.5	35



Recommended shaft end shape(Fixed-side) for Support Units typesFK,EK							Unit:	
Support unit model No.	Ballscrew shaft OD	Shaft support portion OD				Metric screw thread		
Type FK&EK	d	D	B	E	F	M	S	
FK6&EK6	8	6	4	30	8	M6*0.75	8	
FK8&EK8	12	8	6	35	9	M8*1	10	
FK10&EK10	14/15	10	8	36	15	M10*1	11	
FK12&EK12	16/18	12	10	36	15	M12*1	11	
FK15&EK15	20/25	15	12	49	20	M15*1	13	
FK20&EK20	28/30/32	20	17	64	25	M20*1	17	
FK25	36	25	20	76	30	M25*1.5	20	
FK30	40	30	25	72	38	M30*1.5	25	



Recommended shaft end shape(Supported-side) for Support Units typesFF,EF,BF **Unit:**

Support unit model No.			Ballscrew shaft OD	Shaft support		Snap-ring groove		
FF	EF	BF	d	D	E	B	F	G
FF10	EF10	BF10	14/15	8	10	7.6	7.9	0.9
FF12	EF12	BF12	16/18	10	11	9.6	9.15	1.15
FF15	EF15	BF15	20/25	15	13	14.3	10.15	1.15
----	----	BF17	25	17	16	16.2	13.15	1.15
FF20	EF20	(BF20)Note	28/30/32	20	19(16)	19	15.35(13.35)	1.35
FF25	----	BF25	36	25	20	23.9	16.35	1.35
FF30	----	BF30	40	30	21	28.6	17.75	1.75
----	----	BF35	45	35	22	33	18.75	1.75
----	----	BF40	50/55	40	23	38	19.75	1.95

Note: In this table,dimensions in parenthesis are those of type BF20.These dimensions differ from those of type F20&EF20.

