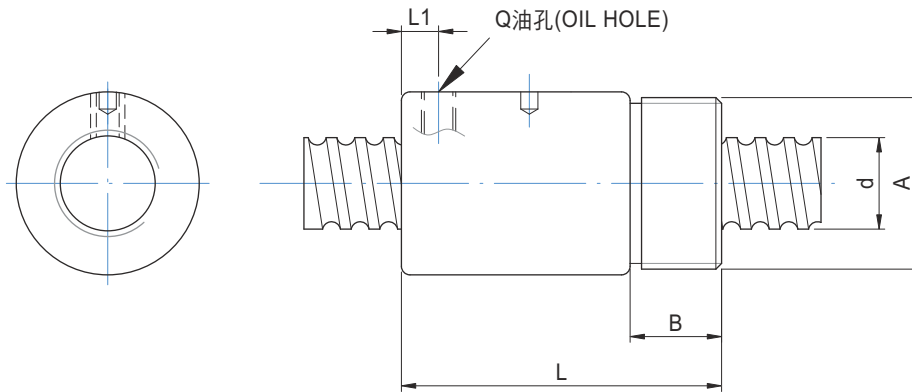


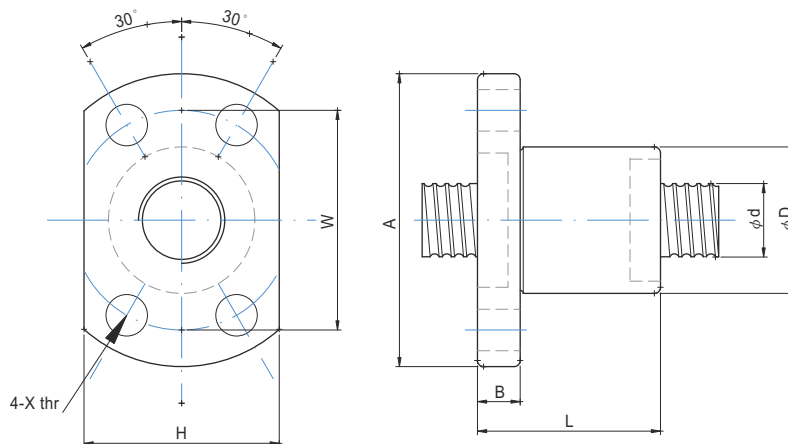
## 8.10 Type: RSU



Unit : mm

Model No.	Dimensions											
	d	l	Da	D	A	B	L	Q	L1	Ca(Kgf)	Coa(kgf)	(Circuit x Row)
1604-3	16	4	2.381	29	M22X1.5P	8	32	M5	4	491	952	1X3
1605-3	16	5	3.175	32	M30X1.5P	16	56	M6	6.5	780	1790	1X4
2005-4	20	5	3.175	38	M35X1.5P	16.5	59.6	M6	7	1100	2280	1X4
2505-4	25	5	3.175	42	M40X1.5P	17	60	M6	7	1250	3070	1X4
2510-4	25	10	4.762	42	M40X1.5P	17	90	M6	10	1944	3877	1X4
3205-4	32	5	3.175	52	M48X1.5P	19	60	M6	7	1400	4080	1X4
3210-4	32	10	6.35	52	M48X1.5P	19	93	M6	12	3390	7170	1X4
4005-4	40	5	3.175	58	M56X1.5P	19	59	M8	6	1575	5290	1X4
4010-4	40	10	6.35	65	M60X2P	27	102	M8	12	3850	9470	1X4
5010-4	50	10	6.35	78	M72X2P	29	104	M8	12	4390	12400	1X4

## 8.11 Type: FSK



Unit : mm

Model No.	Dimensions												
	d	l	Da	D	A	B	L	W	X	H	n	Ca(Kgf)	Coa(kgf)
0601-3	6	1	0.8	12	24	3.5	15	18	3.4	16	3	73	121
0801-4	8	1	0.8	14	27	4	16	21	3.4	18	4	93	173
0802-3	8	2	1.2	16	29	4	16	23	3.4	20	3	135	225
082.5-3	8	2.5	1.2	16	29	4	26	23	3.4	20	3	177	278
1002-3	10	2	1.2	18	35	5	28	27	4.5	22	3	185	305
1004-3	14	4	2	26	46	10	34	36	4.5	28	3	395	590