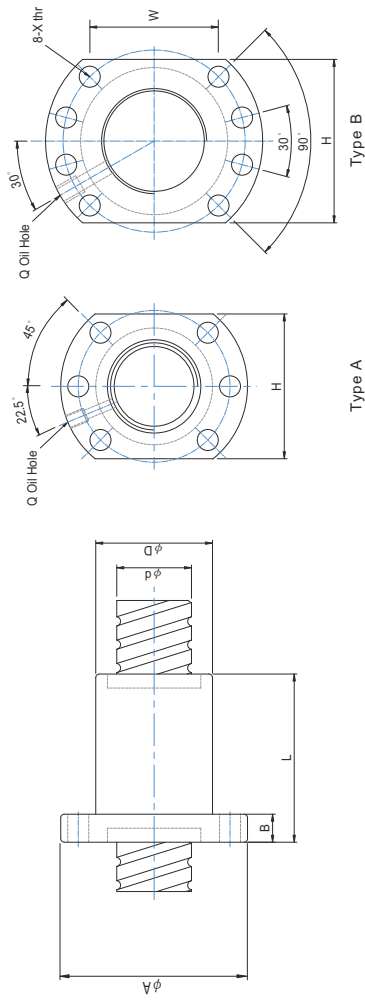


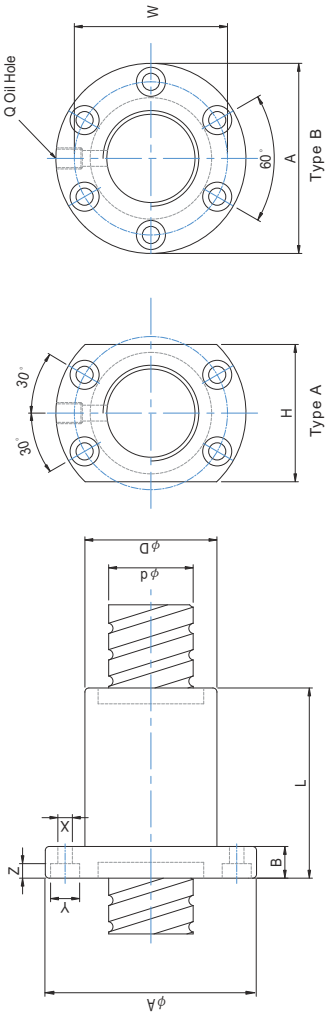
### 8.1 Type: FSU (DIN69051)



Model No.	Dimensions														Ca (kgf)	Cca (kgf)	K
	d	Da	L	A	B	D	H	W	X	Type	H	Q	n	Ca (kgf)			
★ 1605-3	16	5	3.175	28	48	10	42	38	5.5	A	40	M6	3	765	1240	17	
★ 1605-4	16	5	3.175	28	48	10	50	38	5.5	A	40	M6	4	780	1790	17	
★ 1610-3	16	10	3.175	28	48	12	43.3	38	5.5	A	40	M6	3	716	1232	15	
★ 2005-4	20	5	3.175	36	58	10	53	47	6.6	A	44	M6	4	1100	2280	21	
★ 2504-4	25	4	2.981	40	62	11	46	51	6.6	A	48	M6	4	775	2045	33.4	
★ 2505-4	25	5	3.175	40	62	10	53	51	6.6	A	48	M6	4	1250	3070	26	
★ 2510-3	25	10	4.762	40	62	12	75	51	6.6	A	48	M6	3	1620	3205	26	
★ 2510-4	25	10	4.762	40	62	12	85	51	6.6	A	48	M6	4	1944	3877	27	
★ 3205-4	32	5	3.175	50	80	12	53	65	9	A	62	M6	4	1400	4080	32	
★ 3210-4	32	10	6.35	50	80	16	77.5	65	9	A	62	M6	3	2605	5310	34	
★ 3210-4	32	10	6.35	50	80	16	90	65	9	A	62	M6	4	3390	7170	34	
★ 4005-4	40	5	3.175	63	93	14	56	78	9	B	70	M8	4	1575	5290	38	
★ 4006-4	40	6	3.969	63	93	14	60	78	9	B	70	M8	4	1889	5317	53	
★ 4010-4	40	10	6.35	63	93	18	93	78	9	B	70	M8	4	3850	9470	41	
★ 5010-4	50	10	6.35	75	110	18	93	93	11	B	85	M8	4	4390	12400	50	
★ 6310-4	63	10	6.35	90	125	18	98	108	11	B	95	M8	4	5070	16600	80	
★ 6320-3	63	20	9.525	90	125	15	138	115	13.5	B	100	M8	3	8490	23610	74	
★ 8010-4	80	10	6.35	105	145	20	98	125	13.5	B	110	M8	4	5620	21300	90	
★ 8020-3	80	20	9.525	125	165	25	143	145	13.5	B	130	M8	3	6302	19008	86	

★ Left Thread Available

### 8.2 Type: FSI



Model No.	Dimensions														Ca (kgf)	Cca (kgf)	K	
	d	Da	L	A	B	D	H	W	X	Y	Z	Type	H	Q				n
1404-4	14	4	2.381	26	46	10	47	36	4.5	8	4.5	A	34	M6	4	400	880	18
1604-4	16	4	2.381	30	49	10	45	39	4.5	8	4.5	A	34	M6	4	625	1253	21.8
★ 1605-3	16	5	3.175	30	49	10	42	39	4.5	8	4.5	A	34	M6	4	760	1240	17
★ 1610-4	16	10	3.175	30	49	10	50	39	4.5	8	4.5	A	34	M6	4	780	1790	17
★ 1610-4	16	10	3.175	34	58	10	54.6	45	5.5	9.5	5.5	A	36	M6	4	918	1643	15
★ 2005-4	20	5	3.175	34	57	12	53	45	5.5	9.5	5.5	A	40	M6	4	1100	2280	21
★ 2504-4	25	4	2.381	40	63	11	46	51	5.5	9.5	5.5	A	46	M6	4	775	2045	33.4
★ 2505-4	25	5	3.175	40	63	12	53	51	5.5	9.5	5.5	A	46	M6	4	1250	3070	26
★ 2510-4	25	10	4.762	46	72	12	85	58	6.5	11	6.5	A	52	M8	4	1944	3877	27
★ 3205-4	32	5	3.175	46	72	12	53	58	6.5	11	6.5	A	52	M8	4	1400	4080	32
★ 3210-4	32	6	3.969	62	89	16	63	75	6.5	11	6.5	B	-	M8	4	1706	4217	43
★ 4005-4	40	5	3.175	56	90	16	56	72	9	14	8.5	A	64	M8	4	1575	5290	38
★ 4010-4	40	10	6.35	62	104	18	83	92	11	17.5	11	A	70	M8	4	3850	9470	41
★ 5010-4	50	10	6.35	72	114	18	93	92	11	17.5	11	A	82	M8	4	4390	12400	50
★ 6310-4	63	10	6.35	90	125	18	98	108	14	20	13	B	-	M8	4	5070	16600	80
★ 6320-3	63	20	9.525	95	135	20	138	115	18	26	17.5	B	-	M8	3	8490	23610	74
★ 8010-4	80	10	6.35	105	145	20	98	125	14	20	13	B	-	M8	4	5620	21300	90
★ 8020-3	80	20	9.525	125	165	25	143	145	18	26	17.5	B	-	M8	3	6302	19008	86

★ Left Thread Available