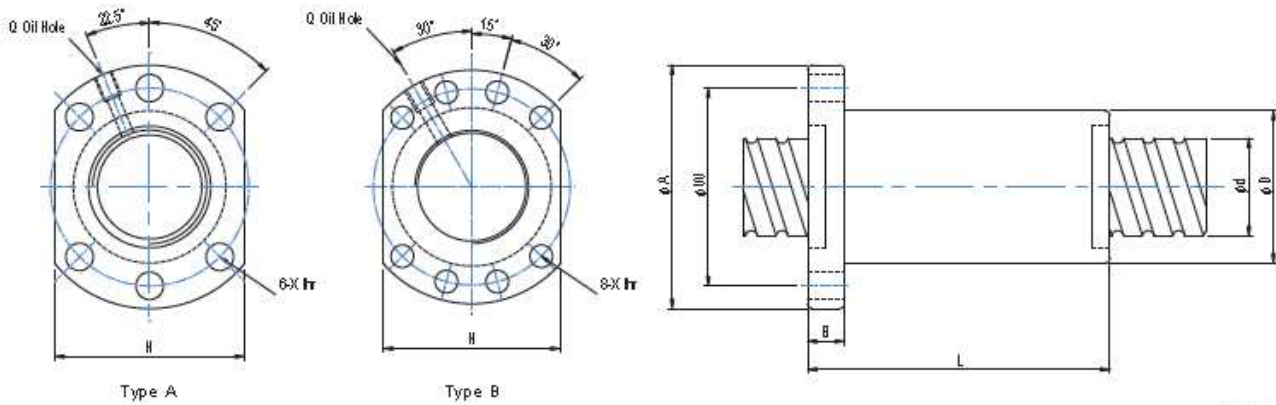


8.5 Type: FSC (DIN69051)



Unit : mm

| Model No. | Dimensions | | | | | | | | | | | | | | |
|-----------|------------|----|-------|----|-----|----|------|----|-----|------|----|----|---|---------|----------|
| | d | l | Da | D | A | B | L | W | X | Type | H | Q | n | Ca(Kgf) | Coa(kgf) |
| 1605-4 | 16 | 5 | 3.175 | 28 | 48 | 12 | 34 | 38 | 5.5 | A | 40 | M6 | 4 | 1255 | 1642 |
| 1610-3 | 16 | 10 | 3.175 | 28 | 48 | 12 | 43.3 | 38 | 5.5 | A | 40 | M6 | 3 | 716 | 1232 |
| 1616-3 | 16 | 16 | 3.175 | 28 | 48 | 12 | 61 | 38 | 5.5 | A | 40 | M6 | 3 | 716 | 1232 |
| 2005-4 | 20 | 5 | 3.175 | 36 | 58 | 10 | 53 | 47 | 6.6 | A | 44 | M6 | 4 | 1459 | 2193 |
| 2505-4 | 25 | 5 | 3.175 | 40 | 62 | 10 | 53 | 51 | 6.6 | A | 48 | M6 | 4 | 1622 | 2774 |
| 2510-4 | 25 | 10 | 3.5 | 40 | 62 | 12 | 64 | 51 | 6.6 | A | 48 | M6 | 4 | 1845 | 3020 |
| 3205-4 | 32 | 5 | 3.175 | 50 | 80 | 12 | 53 | 65 | 9 | A | 62 | M6 | 4 | 2203 | 4080 |
| 3220-6 | 32 | 20 | 3.969 | 50 | 80 | 13 | 78 | 65 | 9 | A | 62 | M6 | 3 | 2009 | 3437 |
| 4005-4 | 40 | 5 | 3.175 | 63 | 93 | 16 | 56 | 78 | 9 | B | 70 | M8 | 4 | 2968 | 6538 |
| 4020-3 | 40 | 20 | 5.556 | 63 | 93 | 15 | 83 | 78 | 9 | B | 70 | M8 | 3 | 3866 | 6406 |
| 5010-4 | 50 | 10 | 6.35 | 75 | 110 | 18 | 90 | 93 | 11 | B | 85 | M8 | 4 | 8129 | 16983 |
| 5020-5 | 50 | 20 | 6.35 | 75 | 110 | 18 | 121 | 93 | 11 | B | 85 | M8 | 5 | 77121 | 15269 |