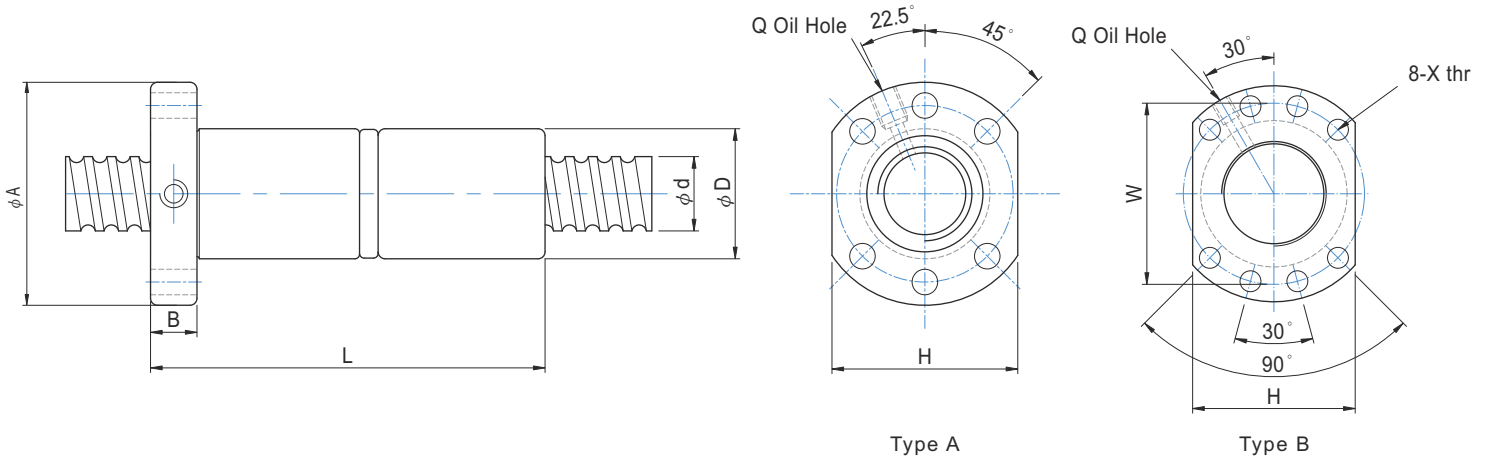


8.3 Type: FDU (DIN69051)



Unit : mm

Model No.	Dimensions															
	d	l	Da	D	A	B	L	W	X	Type	H	Q	n	Ca (Kgf)	Coa (kgf)	K
★ 1605-3	16	5	3.175	28	48	10	80	38	5.5	A	40	M6	3	780	1790	37
2005-4	20	5	3.175	356	58	12	92	47	6.6	A	44	M6	4	1100	2280	49
2505-4	25	5	3.175	40	62	12	92	51	6.6	A	48	M6	4	1250	3070	58
2510-4	25	10	4.762	40	62	12	153	51	6.6	A	48	M6	4	1944	3877	49
★ 3205-4	32	5	3.175	50	80	12	92	65	9	A	62	M6	4	1400	4080	70
3210-4	32	10	6.35	50	80	16	160	65	9	A	62	M64	4	3390	7170	79
4005-4	40	5	3.175	63	93	15	96	78	9	B	70	M8	4	1575	5290	84
4010-4	40	10	6.35	63	93	18	162	78	9	B	70	M8	4	3850	9470	97
5010-4	50	10	6.35	75	110	16	162	93	11	B	85	M8	4	4390	12400	115
6310-4	63	10	6.35	90	125	18	182	108	11	B	95	M8	4	5070	16600	80
6320-3	63	20	9.525	95	135	20	253	115	13.5	B	100	M8	3	8490	23610	74
8010-4	80	10	6.35	105	145	20	182	125	13.5	B	110	M8	4	5620	21300	90
8020-3	80	20	9.525	125	165	25	253	145	13.5	B	130	M8	3	6302	19008	86

★ Left Thread Available