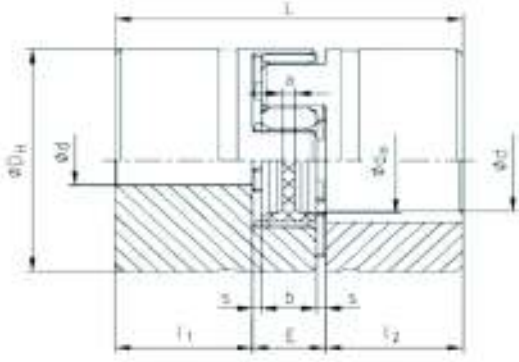


## BOŞLUKSUZ SERVO KAPLİNLER



KAPLİN GS*	ÖLÇÜLER - mm						FİYAT- USD
	d max	D <sub>H</sub>	BMS L- MCS L	l <sub>1</sub> / l <sub>2</sub>	E	b	
9-BF-D20L31	11	20	30-31	10	10	8	\$14,0
12-BF-D25L34	12	25	33-34	11	12	10	\$15,0
14-BF-D30L42	16	30	35-42	11	13	10	\$18,0
19-BF1-D40L66	24	40	66	25	16	12	\$24,0
24-BF1-D55L78	28	55	78	30	18	14	\$39,0
28-BF1-D65L90	38	65	90	35	20	15	\$55,0
38-BF1-D80L114	45	80	114	45	24	18	\$89,0
GS 42	55	95	126	50	26	20	\$113,0
GS 48	62	105	140	56	28	21	\$139,0
GS 55	74	120	160	65	30	22	\$189,0

\*YARIKLI VE SETSKUR SIKMALI TİP MİNİMUM PİLOT DELİK AÇILMIŞ OLARAK.

## HASSAS YAYLI KAPLİNLER

PARÇA NO	İç Çap		Dış Çap	Boy	FİYAT / USD
	Min	Max			
BB-D20L33	3	10	20	33	\$12,6
BB-D25L38	4	12	25	38	\$13,7
BB-D32L45	4	16	32	45	\$27,3
BB-D40L62	5	25	40	62	\$34,7
BB-D55L72	8	32	55	72	\$45,2



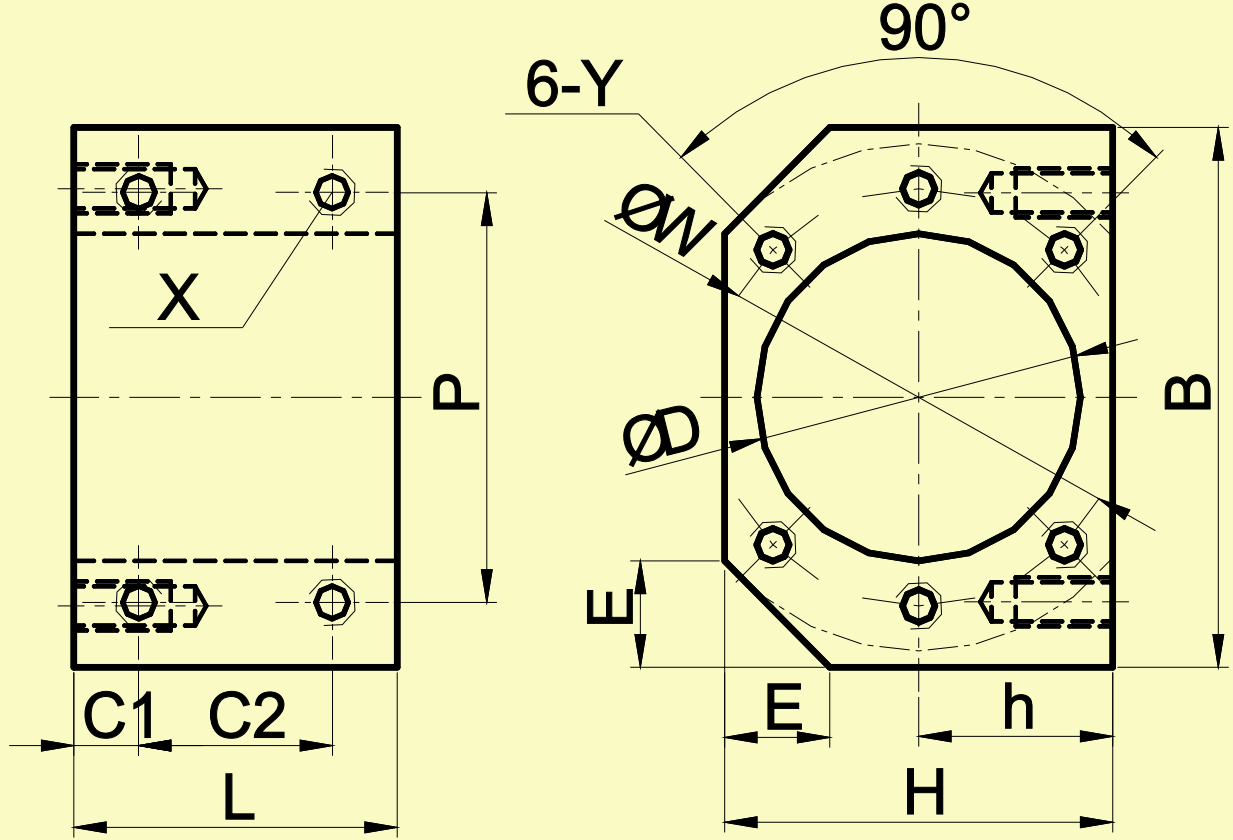
## HASSAS FLEX KAPLİNLER

SCT 16 C	4	6	16	23	\$31,0
SCT 20 C	4	8	20	26	\$40,0
SCT 25 C	5	10	25	31	\$53,0



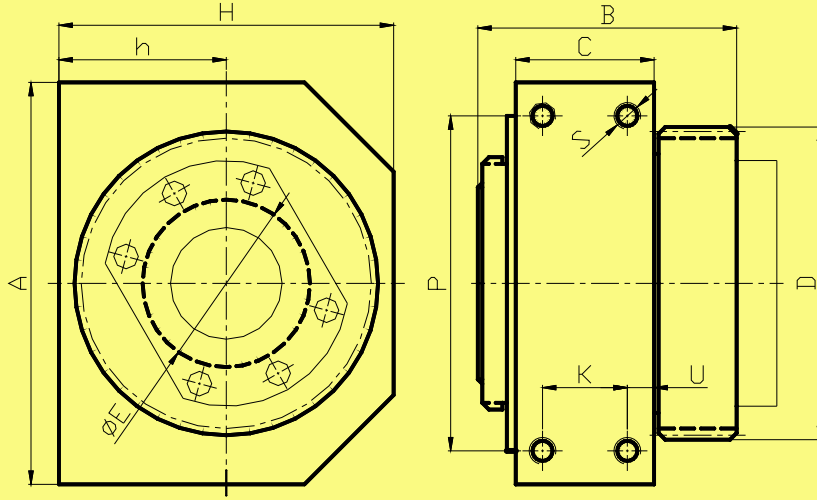
\*YARIKLI VE SETSKUR SIKMALI TİP MİNİMUM PİLOT DELİK AÇILMIŞ OLARAK.

## VİDALI MİL SOMUN GÖVDELERİ



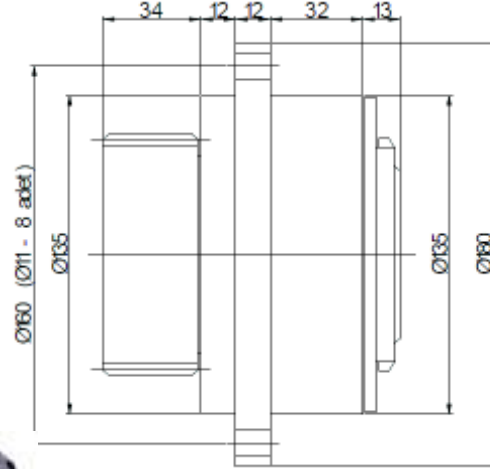
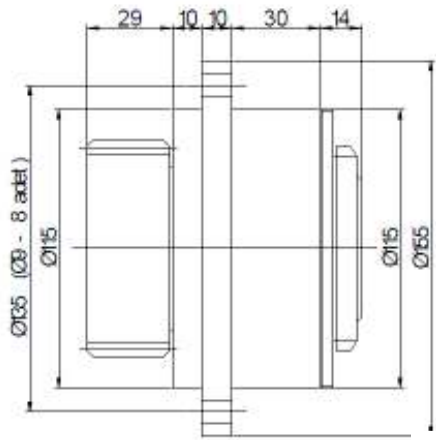
Parça No	Somun	D	B	H	h	E	L	C1	C2	P	X	W	Y	Fiyat
<b>BSG 16 H</b>	1605 1610	28	52	40	20	12	40	8	24	40	M5	38	M5	<b>\$28</b>
<b>BSG 1616</b>	1616	32	54	38	19	8	40	8	24	44	M5	42	M4	<b>\$36</b>
<b>BSG 20 H</b>	2005 2010	36	62	44	22	12	40	8	24	48	M6	47	M6	<b>\$33</b>
<b>BSG 2020</b>	2020	39	64	46	23	11	40	8	24	52	M6	50	M5	<b>\$40</b>
<b>BSG 25 H</b>	2505 2510	40	66	48	24	13	40	8	24	50	M6	51	M6	<b>\$38</b>
<b>BSG 2525</b>	2525	47	68	56	28	9	40	8	24	50	M6	60	M6	<b>\$46</b>
<b>BSG 32 H</b>	3205 3210	50	86	62	31	17	40	8	24	66	M8	65	M8	<b>\$43</b>
<b>BSG 40 H</b>	4005 4010	63	100	70	35	19	40	8	24	80	M8	78	M8	<b>\$57</b>
<b>BSG 50 H</b>	5010	75	116	85	42,5	22	46	10	26	92	M8	93	M8	<b>\$66</b>

## DÖNER SOMUN GÖVDELERİ



PARÇA NO	A	H	h	B	C	D	E	Somun	P	K	U	S	Rulman	FİYAT
DSG 01x1605	90	80	40	72	36	5M z:40	28	FSU	70	20	8	M6	7008	\$470
DSG 01x1616						b:20	32	FSE						
DSG 02x2005	100	90	45	78	40	5M z:48	36	FSU	80	20	10	M8	7010	\$485
DSG 02x2020							39	FSE						
DSG 02x2505							40	FSU						
DSG 02x2510							40	FSU						
DSG 03x2525	125	116	58	93	50	5M z:56	47	FSE	100	30	10	M8	7012	\$490
DSG 03x3205							50	FSU						
DSG 03x3210							50	FSU						
DSG 04x3232	150	124	62	103	56	8M z:40	58	FSE	120	32	12	M10	7015	\$510
DSG 04x4005							63	FSU						
DSG 04x4010							63	FSU						
DSG 05x4040	180	150	75	116	62	8M z:48	73	FSE	150	38	12	M12	7018	\$840
DSG 05x5010							75	FSU						

## FLANŞLI DÖNER SOMUN GÖVDELERİ



PARÇA NO	FİYAT
DSG 03 Fx2525	\$490
DSG 03 Fx3205	
DSG 03 F x3210	



PARÇA NO	FİYAT
DSG 04 Fx3232	\$510
DSG 04 Fx4005	
DSG 04 Fx4010	