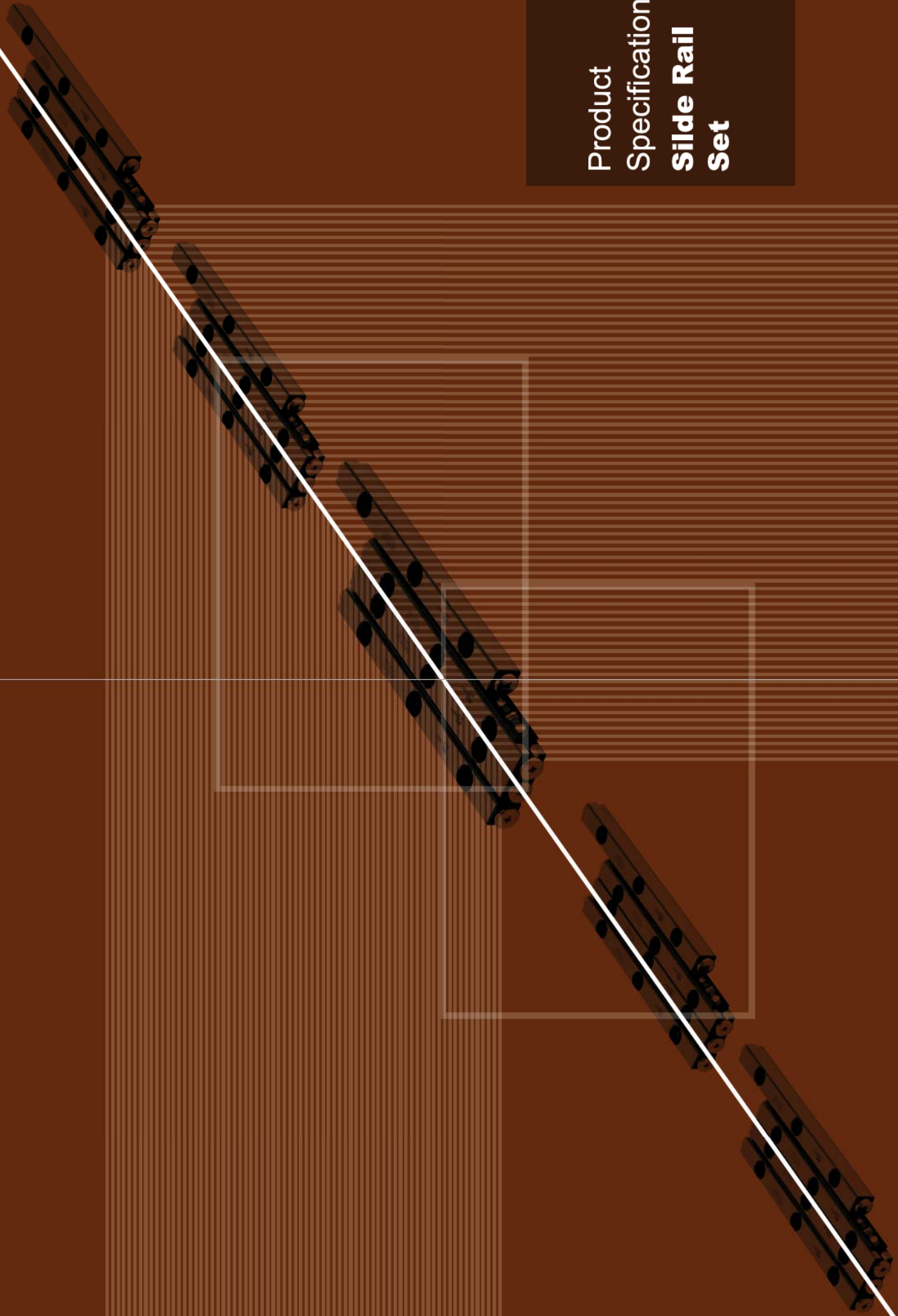
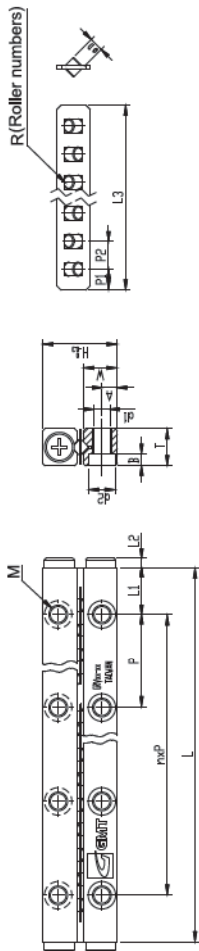


Product
Specification
Silde Rail
Set





Specification

Standard	Model No.	Max. Stroke (mm)	Main Dimensions (mm)										Retainer Dimensions (mm)				
			H	T	W	L	n*p	L1	L2	ØD	L3	R	P1	P2			
GRV00-20	GRV00-20-S	17				20	1*10					12.4	6				
GRV00-30	GRV00-30-S	21				30	2*10					16.4	8				
GRV00-40	GRV00-40-S	25				40	3*10					20.4	10				
GRV00-50	GRV00-50-S	29	6.2	3	2.9	50	4*10	5	0.7	0.7	Ø1	24.4	12	1.3	2		
GRV00-60	GRV00-60-S	33				60	5*10					28.4	14				
GRV00-70	GRV00-70-S	37				70	6*10					32.4	16				
GRV00-80	GRV00-80-S	41				80	7*10					36.4	18				
GRV01-20	GRV01-20-S	13				20	1*10					15.8	5				
GRV01-30	GRV01-30-S	21				30	2*10					21.8	7				
GRV01-40	GRV01-40-S	29				40	3*10					27.8	9				
GRV01-50	GRV01-50-S	37	8.5	4	3.9	50	4*10	5	1.3	1.3	Ø1.5	33.8	11	1.9	3		
GRV01-60	GRV01-60-S	45				60	5*10					39.8	13				
GRV01-70	GRV01-70-S	53				70	6*10					45.8	15				
GRV01-80	GRV01-80-S	61				80	7*10					51.8	17				
GRV02-30	GRV02-30-S	24				30	1*15					21.6	5				
GRV02-45	GRV02-45-S	30				45	2*15					33.6	8				
GRV02-60	GRV02-60-S	44				60	3*15					41.6	10				
GRV02-75	GRV02-75-S	58				75	4*15					49.6	12				
GRV02-90	GRV02-90-S	72				90	5*15					57.6	14				
GRV02-105	GRV02-105-S	86	12	6	5.5	105	6*15	7.5	1.5	1.5	Ø2	65.6	16	2.8	4		
GRV02-120	GRV02-120-S	100				120	7*15					73.6	18				
GRV02-135	GRV02-135-S	106				135	8*15					85.6	21				
GRV02-150	GRV02-150-S	120				150	9*15					93.6	23				
GRV02-165	GRV02-165-S	134				165	10*15					101.6	25				
GRV02-180	GRV02-180-S	148				180	11*15					109.6	27				

Ordering Example : GR Roller - V rail - 01 Roller dia. - 40 Rail length - S Antitrust - P Precision Level

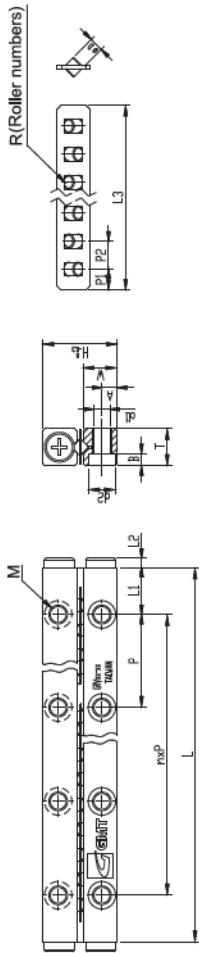


Material Specification

Material Model No.	Component	Rail	Roller	Retainer
GRV		SUU2		SUS304
GRV - S		SUS440C +Ni	SUS440C	

GRV-S No Surface finished to V-groove surface of the rail.

Mounting Dimensions (mm)			Load Per Roller		Weight (g) / 2 Pieces				
A	M	d1	d2	B	Basic Dynamic Load Rating	Basic Static Load Rating	Allowable Load	Standard	Antitrust
1.2	M1.4	1.1	2.1	4	62N/1pcs	72N/1pcs	24N/1pcs	2.4	2.6
								3.5	3.8
								4.6	5
								5.7	6.2
								6.8	7.4
								7.9	8.6
								9	9.8
								4	4
								6	7
								8	9
1.8	M2	1.65	3	1.4	125N/1pcs	144N/1pcs	48N/1pcs	10	11
								12	13
								14	16
								16	17
								13	14
								20	21
								26	28
								32	35
								39	42
2.5	M3	2.55	4.4	2	283N/1pcs	292N/1pcs	97N/1pcs	45	48
								51	55
								58	62
								64	69
								70	76
								77	82



Specification

Model No.	Max. Stroke (mm)	Main Dimensions (mm)										Retainer Dimensions (mm)				
		Standard	Antitrust	H	T	W	L	n*p	L1	L2	L3	R	P1	P2		
GRV03-50	34					50	1*25				36.4	7				
GRV03-75	54					75	2*25				51.4	10				
GRV03-100	74					100	3*25				66.4	13				
GRV03-125	104					125	4*25				76.4	15				
GRV03-150	124					150	5*25				91.4	18				
GRV03-175	144		8	8.3		175	6*25	12.5	2	Ø3	106.4	21	3.2	5		
GRV03-200	164					200	7*25				121.4	24				
GRV03-225	184					225	8*25				136.4	27				
GRV03-250	204					250	9*25				151.4	30				
GRV03-275	224					275	10*25				166.4	33				
GRV03-300	244					300	11*25				181.4	36				
GRV04-80	54					80	1*40				57.6	8				
GRV04-120	92					120	2*40				78.6	11				
GRV04-160	130					160	3*40				99.6	14				
GRV04-200	154					200	4*40				127.6	18				
GRV04-240	192					240	5*40				148.6	21				
GRV04-280	230		22	11	10	280	6*40	20	2	Ø4	169.6	24	4.3	7		
GRV04-320	254					320	7*40				197.6	28				
GRV04-360	292					360	8*40				218.6	31				
GRV04-400	330					400	9*40				239.6	34				
GRV04-440	354					440	10*40				267.6	38				
GRV04-480	392					480	11*40				288.6	41				



Material Specification

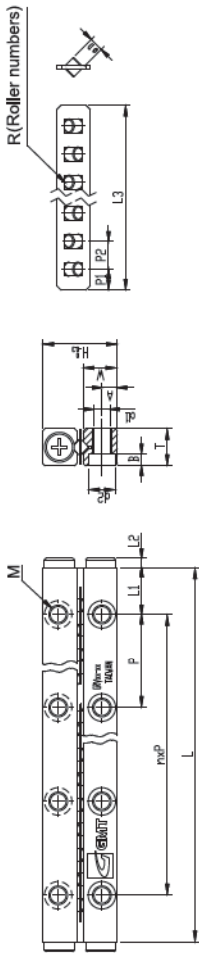
Material Model No.	Component	Rail	Roller	Retainer
GRV		SUU2		SUS304
GRV - S		SUS440C +NI	SUS440C	

GRV-S No Surface finished to V-groove surface of the rail.

Mounting Dimensions (mm)			Load Per Roller		Weight (g) / 2 Pieces		
A	M	d1	Basic Dynamic Load Rating	Basic Static Load Rating	Allowable Load	Standard	Antitrust
3.5	M4	3.3	638N/1pcs	761N/1pcs	254N/1pcs	46	49
		6				68	73
		3.1				90	97
		6				112	120
		3.1				134	144
		6				157	168
		3.1				179	191
		6				201	215
		3.1				223	239
		6				245	262
		3.1				267	286
		6				122	130
		3.1				180	193
		6				238	254
		3.1				296	317
		6				355	380
4.5	M5	4.3	1230N/1pcs	1170N/1pcs	390N/1pcs	413	442
		7.5				472	505
		4.1				530	568
		7.5				589	631
		4.1				647	694
		7.5				706	756

Linear Motion Component ▶ Guides & Bearings ▶ Slide Rail Set

GRV / GRV - S



Specification

Standard	Model No.	Max. Stroke (mm)	Main Dimensions (mm)						Retainer Dimensions (mm)					
			H	T	W	L	n*p	L1	L2	ØD	L3	R	P1	P2
GRV06-100	GRV06-100-S	80			100	1*50			64.8	7				
GRV06-150	GRV06-150-S	108			150	2*50			100.8	11				
GRV06-200	GRV06-200-S	154			200	3*50			127.8	14				
GRV06-250	GRV06-250-S	200			250	4*50			154.8	17				
GRV06-300	GRV06-300-S	246			300	5*50			181.8	20				
GRV06-350	GRV06-350-S	274	31	15	350	6*50	25	2	217.8	24	5.4	9		
GRV06-400	GRV06-400-S	320			400	7*50			244.8	27				
GRV06-450	GRV06-450-S	366			450	8*50			271.8	30				
GRV06-500	GRV06-500-S	412			500	9*50			298.8	33				
GRV06-550	GRV06-550-S	458			550	10*50			325.8	36				
GRV06-600	GRV06-600-S	486			600	11*50			361.8	40				
GRV09-200	/	158			200	1*100			130.0	9				
GRV09-300	/	246			300	2*100			186.0	13				
GRV09-400	/	306			400	3*100			256.0	18				
GRV09-500	/	394			500	4*100			312.0	22				
GRV09-600	/	482			600	5*100			368.0	26				
GRV09-700	/	570			700	6*100	50	3.5	424.0	30	9	14		
GRV09-800	/	658			800	7*100			480.0	34				
GRV09-900	/	746			900	8*100			536.0	38				
GRV09-1000	/	806			1000	9*100			606.0	43				
GRV09-1100	/	894			1100	10*100			662.0	47				
GRV09-1200	/	982			1200	11*100			718.0	51				
GRV12-200	/	160			200	1*100			130.0	7				
GRV12-300	/	216			300	2*100			202.0	11				
GRV12-400	/	308			400	3*100			256.0	14				
GRV12-500	/	400			500	4*100			310.0	17				
GRV12-600	/	492			600	5*100			364.0	20				
GRV12-700	/	548	58	28	700	6*100	50	3.5	436.0	24	11	18		
GRV12-800	/	640			800	7*100			490.0	27				
GRV12-900	/	732			900	8*100			544.0	30				
GRV12-1000	/	824			1000	9*100			598.0	33				
GRV12-1100	/	916			1100	10*100			652.0	36				
GRV12-1200	/	972			1200	11*100			724.0	40				

Ordering Example :	GR Roller	V V rail	06 Roller dia.	200 Rail length	S Antirust	P Precision Level
--------------------	-----------	----------	----------------	-----------------	------------	-------------------

Linear Motion Component ▶ Guides & Bearings ▶ Slide Rail Set

GRV / GRV - S



Material Specification

Material Model No.	Component	Rail	Roller	Retainer
GRV		SUJ2		SUS304
GRV - S		SUS440C +NI	SUS440C	

GRV-S No Surface finished to V-groove surface of the rail.

Mounting Dimensions (mm)			Load Per Roller			Weight (g) / 2 Pieces			
A	M	d1	d2	B	Basic Dynamic Load Rating	Basic Static Load Rating	Allowable Load	Standard	Antirust
6	M6	5.3	9.5	5.2	2570N/1pcs	2632N/1pcs	877N/1pcs	287	311
								435	466
								577	618
								864	925
								1006	1078
								1150	1232
								1436	1539
								1579	1691
								1273	1846
								1891	/
								2509	/
								3133	/
								3756	/
9	M8	6.8	10.5	6.2	7190N/1pcs	7274N/1pcs	2425N/1pcs	4628.1	/
								4915.2	/
								5525.3	/
								6140.9	/
								6751.1	/
								7361.2	/
								2114	/
								3161	/
								4195	/
								5242	/
								6276	/
								7734.8	/
12	M10	8.5	13.5	8.2	14700N/1pcs	13187N/1pcs	4396N/1pcs	8829.2	/
								9261.2	/
								10281.7	/
								11302.3	/
								12336.4	/

Linear Motion Component ▶ Guides & Bearings ▶ Slide Rail Set

GRV / GRV - S

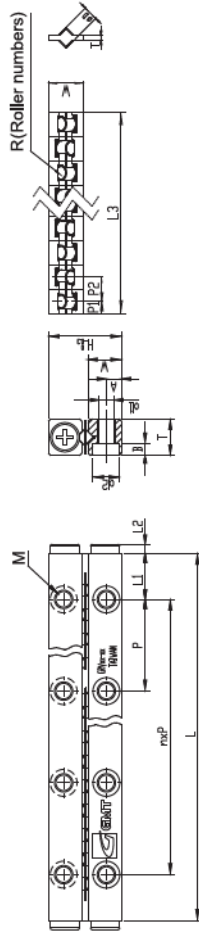


Material Specification

Material Model No.	Component	Rail	Roller	Retainer
GRV		SUJ2		SUS304
GRV - S		SUS440C +NI	SUS440C	

GRV-S No Surface finished to V-groove surface of the rail.

Mounting Dimensions (mm)			Load Per Roller			Weight (g) / 2 Pieces			
A	M	d1	d2	B	Basic Dynamic Load Rating	Basic Static Load Rating	Allowable Load	Standard	Antirust
6	M6	5.3	9.5	5.2	2570N/1pcs	2632N/1pcs	877N/1pcs	287	311
								435	466
								577	618
								864	925
								1006	1078
								1150	1232
								1436	1539
								1579	1691
								1273	1846
								1891	/
								2509	/
								3133	/
								3756	/
9	M8	6.8	10.5	6.2	7190N/1pcs	7274N/1pcs	2425N/1pcs	4628.1	/
								4915.2	/
								5525.3	/
								6140.9	/
								6751.1	/
								7361.2	/
								2114	/
								3161	/
								4195	/
								5242	/
								6276	/
								7734.8	/
12	M10	8.5	13.5	8.2	14700N/1pcs	13187N/1pcs	4396N/1pcs	8829.2	/
								9261.2	/
								10281.7	/
								11302.3	/
								12336.4	/



Specification

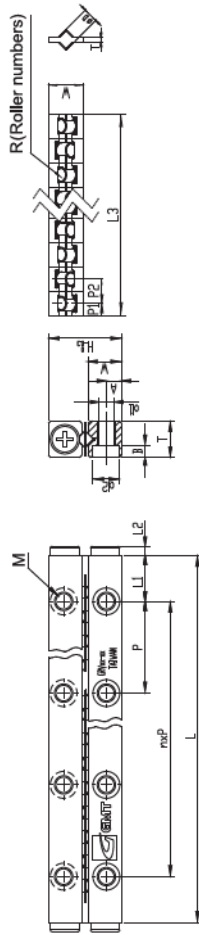
Model No.	Max. Stroke (mm)	Main Dimensions (mm)						Retainer Dimensions (mm)												
		H	T	W	L	n*p	L1	L2	ØD	L3	R	P1	P2							
Standard																				
GRVP01-20	8.4				20	1*10						15.8	5							
GRVP01-30	16.4				30	2*10						21.8	7							
GRVP01-40	24.4				40	3*10						27.8	9							
GRVP01-50	32.4	8.5	4	3.9	50	4*10	5	1.3	Ø1.5			33.8	11	1.9	3					
GRVP01-60	40.4				60	5*10						39.8	13							
GRVP01-70	48.4				70	6*10						45.8	15							
GRVP01-80	56.4				80	7*10						51.8	17							
GRVP02-30	16.8				30	1*15						21.6	5							
GRVP02-45	22.8				45	2*15						33.6	8							
GRVP02-60	36.8				60	3*15						41.6	10							
GRVP02-75	50.8				75	4*15						49.6	12							
GRVP02-90	64.8				90	5*15						57.6	14							
GRVP02-105	78.8	12	6	5.5	105	6*15	7.5	1.5	Ø2			65.6	16	2.8	4					
GRVP02-120	92.8				120	7*15						73.6	18							
GRVP02-135	98.8				135	8*15						85.6	21							
GRVP02-150	112.8				150	9*15						93.6	23							
GRVP02-165	126.8				165	10*15						101.6	25							
GRVP02-180	140.8				180	11*15						109.6	27							
GRVP03-50	27.2				50	1*25						36.4	7							
GRVP03-75	47.2				75	2*25						51.4	10							
GRVP03-100	67.2				100	3*25						66.4	13							
GRVP03-125	97.2				125	4*25						76.4	15							
GRVP03-150	117.2				150	5*25						91.4	18							
GRVP03-175	137.2	18	8	8.3	175	6*25	12.5	2	Ø3			106.4	21	3.2	5					
GRVP03-200	157.2				200	7*25						121.4	24							
GRVP03-225	177.2				225	8*25						136.4	27							
GRVP03-250	197.2				250	9*25						151.4	30							
GRVP03-275	217.2				275	10*25						166.4	33							
GRVP03-300	237.2				300	11*25						181.4	36							

Ordering Example :	GR Roller	V V rail	P POM Retainer	06 Roller dia.	100 Rail length	P Precision Level
--------------------	-----------	----------	----------------	----------------	-----------------	-------------------



Material Specification

Material Model No.	Component	Rail	Roller	Retainer
GRVP		SUJ2		POM



Specification

Model No.	Max. Stroke (mm)	Main Dimensions (mm)						Retainer Dimensions (mm)					
		H	T	W	L	n*p	L1	L2	L3	ØD	R	P1	P2
GRVP04-80	44.8				80	1*40			57.6	8			
GRVP04-120	82.8				120	2*40			76.6	11			
GRVP04-160	120.8				160	3*40			99.6	14			
GRVP04-200	144.8				200	4*40			127.6	18			
GRVP04-240	182.8				240	5*40			148.6	21			
GRVP04-280	220.8	21	11	10	280	6*40	20	2	169.6	24	4.3	7	
GRVP04-320	244.8				320	7*40			197.6	28			
GRVP04-360	282.8				360	8*40			218.6	31			
GRVP04-400	320.8				400	9*40			239.6	34			
GRVP04-440	344.8				440	10*40			267.6	38			
GRVP04-480	382.8				480	11*40			288.6	41			
GRVP06-100	70.4				100	1*50			64.8	7			
GRVP06-150	98.4				150	2*50			100.8	11			
GRVP06-200	144.4				200	3*50			127.8	14			
GRVP06-250	190.4				250	4*50			154.8	17			
GRVP06-300	236.4				300	5*50			181.8	20			
GRVP06-350	264.4	31	15	14	350	6*50	25	2	217.8	24	5.4	9	
GRVP06-400	310.4				400	7*50			244.8	27			
GRVP06-450	356.4				450	8*50			271.8	30			
GRVP06-500	402.4				500	9*50			298.8	33			
GRVP06-550	448.4				550	10*50			325.8	36			
GRVP06-600	476.4				600	11*50			361.8	40			

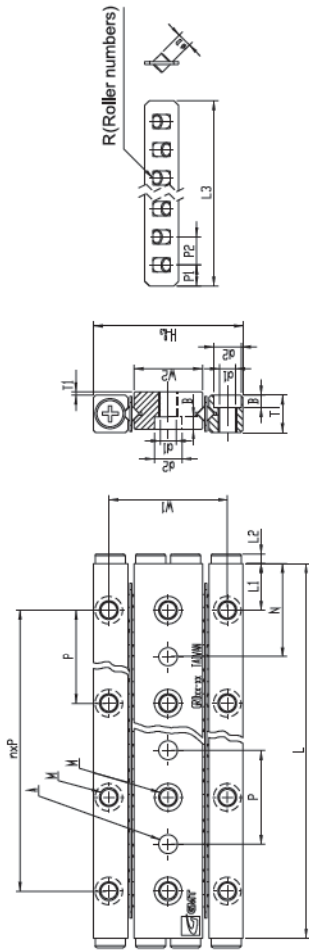
Ordering Example: GR Roller V POM Retainer P Precision Level

V rail V roller 100 Rail length 06 Roller dia. 100 Precision Level



Material Specification

Material Component Model No.	Rail	Roller	Retainer
GRVP	SUJ2	SUJ2	POM



Specification

Model No.	Max. Stroke (mm)	Main Dimensions (mm)										Retainer Dimensions (mm)					
		H	T	L	L	n*p	W1	W2	L1	L2	N	ØD	L3	R	P1	P2	
GRD01-20	13			20		1*10							15.8	5			
GRD01-30	21			30		2*10							21.8	7			
GRD01-40	29			40		3*10							27.8	9			
GRD01-50	37	17	4	50	4*10	13.4	7.8	5	1.3	10	Ø1.5		33.8	11	1.9	3	
GRD01-60	45			60	5*10								39.8	13			
GRD01-70	53			70	6*10								45.8	15			
GRD01-80	61			80	7*10								51.8	17			
GRD02-30	24			30	1*15								21.6	5			
GRD02-45	30			45	2*15								33.6	8			
GRD02-60	44			60	3*15								41.6	10			
GRD02-75	58			75	4*15								49.6	12			
GRD02-90	72			90	5*15								57.6	14			
GRD02-105	86	24	6	105	6*15	19	11	7.5	1.5	15	Ø2		65.6	16	2.8	4	
GRD02-120	100			120	7*15								73.6	18			
GRD02-135	106			135	8*15								85.6	21			
GRD02-150	120			150	9*15								93.6	23			
GRD02-165	134			165	10*15								101.6	25			
GRD02-180	148			180	11*15								109.6	27			

Ordering Example : GR Ball - D D rail - 01 Roller dia. - 40 Rail length - S Antirust - P Precision Level



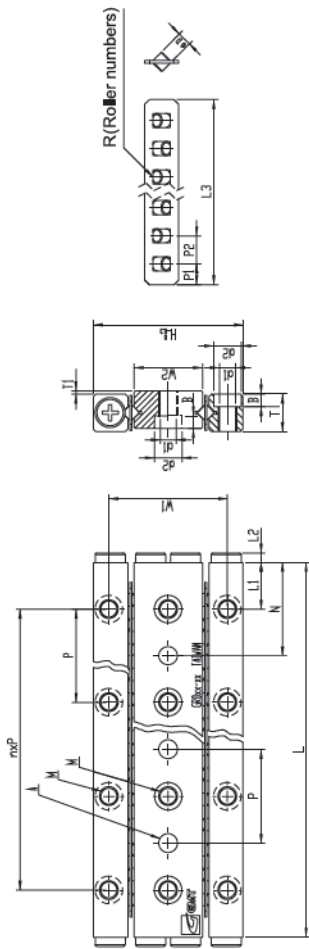
Material Specification

Material Model No.	Component	Rail	Roller	Retainer
GRD		SUS440C	SUU2	SUS304
GRD - S		SUS440C +Ni	SUS440C	SUS304

GRD-S No Surface finished to V-groove surface of the rail.

Specification

T1	Mounting Dimensions (mm)				Load Rer Roller			Weight (g) / 2 Pieces	
	M	d1	d2	A	Basic Dynamic Load Rating	Basic Static Load Rating	Allowable Load	Standard	Antirust
0.5	M2	1.65	3	2 ^{φ=0.010}	125N/1pcs	144N/1pcs	48N/1pcs	9	
				1.4				13	
								17	
								20	
								24	
								29	
								33	
								27	
								40	
								53	
								66	
								78	
0.5	M3	2.55	4.4	3 ^{φ=0.010}	293N/1pcs	292N/1pcs	97N/1pcs	91	
				2				104	
								117	
								130	
								142	
								155	



Specification

Standard	Model No.	Max. Stroke (mm)	Main Dimensions (mm)										Retainer Dimensions (mm)											
			H	T	L	n*p	W1	W2	L1	L2	N	ØD	L3	R	P1	P2								
GRD03-50	GRD03-50-S	34			50	1*25										36.4	7							
GRD03-75	GRD03-75-S	54			75	2*25										51.4	10							
GRD03-100	GRD03-100-S	74			100	3*25										66.4	13							
GRD03-125	GRD03-125-S	104			125	4*25										76.4	15							
GRD03-150	GRD03-150-S	124			150	5*25										91.4	18							
GRD03-175	GRD03-175-S	144		8	175	6*25	29	16.6	12.5	3	25	Ø3			105.4	21	3.2	5						
GRD03-200	GRD03-200-S	164			200	7*25									121.4	24								
GRD03-225	GRD03-225-S	184			225	8*25									136.4	27								
GRD03-250	GRD03-250-S	204			250	9*25									151.4	30								
GRD03-275	GRD03-275-S	224			275	10*25									166.4	33								
GRD03-300	GRD03-300-S	244			300	11*25									181.4	36								
GRD04-80	GRD04-80-S	54			80	1*40									57.6	8								
GRD04-120	GRD04-120-S	92			120	2*40									78.6	11								
GRD04-160	GRD04-160-S	130			160	3*40									99.6	14								
GRD04-200	GRD04-200-S	154			200	4*40									127.6	18								
GRD04-240	GRD04-240-S	192			240	5*40									148.6	21								
GRD04-280	GRD04-280-S	230		11	280	6*40	35	20	20	2	40	Ø4			169.6	24	4.3	7						
GRD04-320	GRD04-320-S	254			320	7*40									197.6	28								
GRD04-360	GRD04-360-S	292			360	8*40									218.6	31								
GRD04-400	GRD04-400-S	330			400	9*40									239.6	34								
GRD04-440	GRD04-440-S	354			440	10*40									267.6	38								
GRD04-480	GRD04-480-S	392			480	11*40									288.6	41								

Ordering Example : GR - D - 03 - 75 - S - P

Ball - D rail - Roller dia. - Rail length - Antitrust - Precision Level

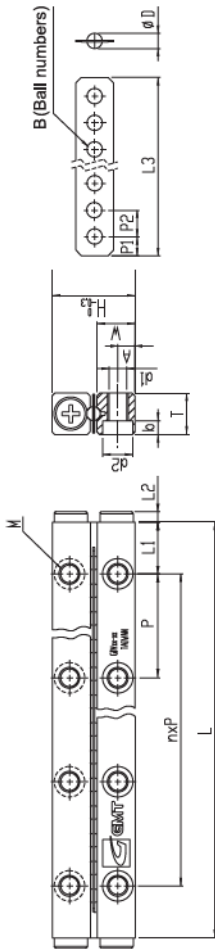


Material Specification

Material Component Model No.	Rail	Roller	Retainer
GRD	SUS440C	SUU2	SUS304
GRD - S	SUS440C +NI	SUS440C	

GRD-S No Surface finished to V-groove surface of the rail.

T1	Mounting Dimensions (mm)					Load Per Roller			Weight (g) / 2 Pieces	
	M	d1	d2	A	B	Basic Dynamic Load Rating	Basic Static Load Rating	Allowable Load	Standard	Antitrust
0.5	M4	3.3	6	4 ^{0.02}	3.1	638N/1pcs	761N/1pcs	254N/1pcs	317	340
									362	387
									406	435
									451	483
									496	531
									540	579
									248	265
									366	392
									484	518
									602	645
									722	773
0.5	M5	4.3	7.5	5 ^{0.02}	4.1	1230N/1pcs	1170N/1pcs	390N/1pcs	840	900
									959	1028
									1079	1156
									1197	1283
									1316	1411
									1434	1538



Specification

Model No.	Max. Stroke (mm)	Main Dimensions (mm)						Retainer Dimensions (mm)					
		H	T	W	L	n*p	L1	L2	ØD	L3	B	P1	P2
GBV01-20	13			20	1*10					15.5	5		
GBV01-30	21			30	2*10				21.5	7			
GBV01-40	29			40	3*10				27.5	9			
GBV01-50	37	8.5	4	3.9	4*10	5	1.3	Ø1.5	33.5	11	1.75	3	
GBV01-60	45			60	5*10				39.5	13			
GBV01-70	53			70	6*10				45.5	15			
GBV01-80	61			80	7*10				51.5	17			
GBV02-30	24			30	1*15				20.6	5			
GBV02-45	30			45	2*15				32.6	8			
GBV02-60	44			60	3*15				40.6	10			
GBV02-75	58			75	4*15				48.6	12			
GBV02-90	72			90	5*15				56.6	14			
GBV02-105	86	12	6	5.5	6*15	7.5	1.5	Ø2	64.6	16	2.3	4	
GBV02-120	100			120	7*15				72.6	18			
GBV02-135	106			135	8*15				84.6	21			
GBV02-150	120			150	9*15				92.6	23			
GBV02-165	134			165	10*15				100.6	25			
GBV02-180	148			180	11*15				108.6	27			

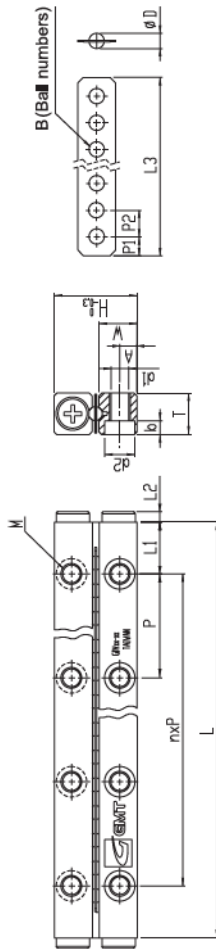
Ordering Example : GB Ball - V rail - Ø1 Ball dia. - 40 Rail length - P Precision Level



Material Specification

Material Model No.	Component	Rail	Ball Bearing	Retainer
GBV	GBV	SUJ2	SUJ2	Phosphor bronze (C5191)

A	Mounting Dimensions (mm)			Load Per Ball Bearing			Weight (g) / 2 Pieces		
	M	d1	d2	Basic Dynamic Load Rating	Basic Static Load Rating	Allowable Load			
1.8	M2	1.65	3	1.4	7.6N/1pcs	21N/1pcs	7.0N/1pcs		
								Standard	4
									6
									8
									10
									12
2.5	M3	2.55	4.4	2	12N/1pcs	37N/1pcs	12.3N/1pcs		
								Standard	13
									14
									16
									20
									26
									32
									39
									45
									51
									58
	64								
	70								
	77								



Specification

Model No.	Max. Stroke (mm)	Main Dimensions (mm)						Retainer Dimensions (mm)						
		H	T	W	L	n*P	L1	L2	ØD	L3	B	P1	P2	
GBV03-50	34			50	1*25					35.7	7			
GBV03-75	54			75	2*25					50.7	10			
GBV03-100	74			100	3*25					65.7	13			
GBV03-125	104			125	4*25					75.7	15			
GBV03-150	124			150	5*25					90.7	18			
GBV03-175	144	18	8	175	6*25	12.5	2	Ø3	105.7	21	2.86	5		
GBV03-200	164			200	7*25				120.7	24				
GBV03-225	184			225	8*25				135.7	27				
GBV03-250	204			250	9*25				150.7	30				
GBV03-275	224			275	10*25				165.7	33				
GBV03-300	244			300	11*25				180.7	36				
GBV04-80	54			80	1*40				56.8	8				
GBV04-120	92			120	2*40				77.8	11				
GBV04-160	130			160	3*40				98.8	14				
GBV04-200	154			200	4*40				126.8	18				
GBV04-240	192			240	5*40				147.8	21				
GBV04-280	230	22	11	280	6*40	20	2	Ø4	168.8	24	3.9	7		
GBV04-320	254			320	7*40				196.8	28				
GBV04-360	292			360	8*40				217.8	31				
GBV04-400	330			400	9*40				238.8	34				
GBV04-440	354			440	10*40				266.8	38				
GBV04-480	392			480	11*40				287.8	41				

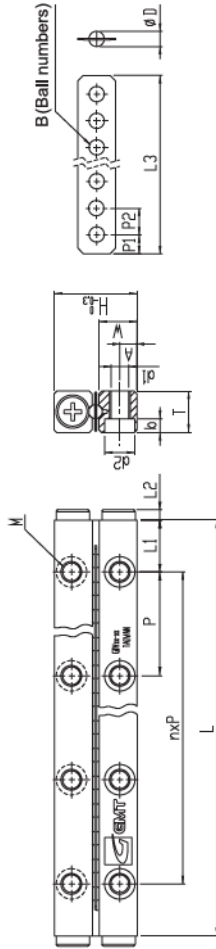
Ordering Example : GB Ball - V rail - Ø3 Ball dia. - 75 Rail length - P Precision Level



Material Specification

Material Model No.	Component	Rail	Ball Bearing	Retainer
GBV	GBV	SUJ2	SUJ2	Phosphor bronze (C5191)

A	Mounting Dimensions (mm)				Load Per Ball Bearing			Weight (g) / 2 Pieces	
	M	d1	d2	b	Basic Dynamic Load Rating	Basic Static Load Rating	Allowable Load	Standard	
3.5	M4	3.3	6	3.1	26.5N/pcs	84N/pcs	28N/pcs	46	
								68	
								90	
								112	
								134	
								156	
								178	
								200	
								222	
								244	
								266	
								121	
								179	
								237	
								295	
								353	
4.5	M5	4.3	7.5	4.1	43N/pcs	148N/pcs	49.3N/pcs	411	
								470	
								528	
								586	
								645	
								703	



Specification

Model No.	Max. Stroke (mm)	Main Dimensions (mm)					Retainer Dimensions (mm)						
		H	T	W	L	n*p	L1	L2	∅D	L3	B	P1	P2
GBV06-100	80				100	1*50				63.6	7		
GBV06-150	108				150	2*50			99.6	11			
GBV06-200	154				200	3*50			126.6	14			
GBV06-250	200				250	4*50			153.6	17			
GBV06-300	246				300	5*50			180.6	20			
GBV06-350	274	31	15	14	350	6*50	25	2	216.6	24	4.8	9	
GBV06-400	320				400	7*50			243.6	27			
GBV06-450	366				450	8*50			270.6	30			
GBV06-500	412				500	9*50			297.6	33			
GBV06-550	458				550	10*50			324.6	36			
GBV06-600	486				600	11*50			360.6	40			

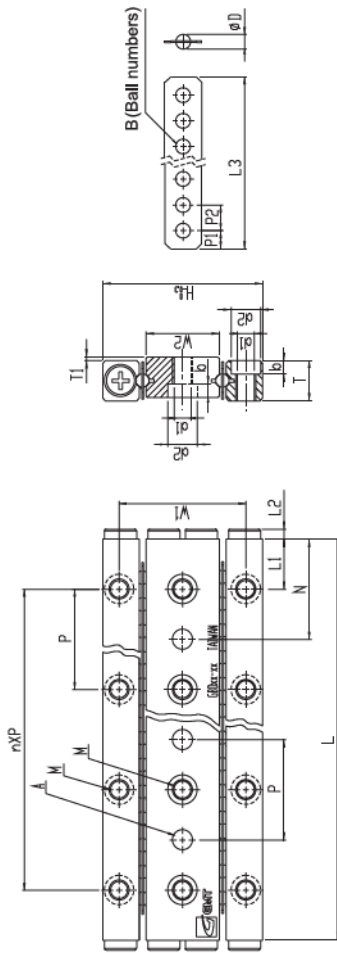
Ordering Example : GB Ball - V rail - 06 Ball dia. - 200 Rail length - P Precision Level



Material specification

Material Model No.	Component	Rail	Ball Bearing	Retainer
GBV	GBV	SUJ2	SUJ2	Phosphor bronze (C5191)

Mounting Dimensions (mm)			Load Per Ball Bearing			Weight (g) / 2 Pieces	
A	M	d1	d2	b	Basic Dynamic Load Rating	Basic Static Load Rating	Allowable Load
6	M6	5.3	9.5	5.2	92N/1pcs	330N/1pcs	110N/1pcs
							Standard
							287
							429
							571
							712
							852
							993
							1135
							1275
							1417
							1558
							1250



Specification

Model No.	Max. Stroke (mm)	Main Dimensions (mm)										Retainer Dimensions (mm)				
		H	T	L	n*p	W1	W2	L1	L2	N	ØD	L3	B	P1	P2	T1
GBD01-20	13			20	1*10							15.5	5			
GBD01-30	21			30	2*10						21.5	7				
GBD01-40	29			40	3*10						27.5	9				
GBD01-50	37	17	4	50	4*10	13.4	7.8	5	1.3	10	Ø1.5	33.5	11	1.75	3	0.5
GBD01-60	45			60	5*10						39.5	13				
GBD01-70	53			70	6*10						45.5	15				
GBD01-80	61			80	7*10						51.5	17				
GBD02-30	24			30	1*15						20.6	5				
GBD02-45	30			45	2*15						32.6	8				
GBD02-60	44			60	3*15						40.6	10				
GBD02-75	58			75	4*15						48.6	12				
GBD02-90	72			90	5*15						56.6	14				
GBD02-105	86	24	6	105	6*15	19	11	7.5	1.5	15	Ø2	64.6	16	2.3	4	0.5
GBD02-120	100			120	7*15						72.6	18				
GBD02-135	106			135	8*15						84.6	21				
GBD02-150	120			150	9*15						92.6	23				
GBD02-165	134			165	10*15						100.6	25				
GBD02-180	148			180	11*15						108.6	27				

Ordering Example : **GB** Ball - **D** D rail - **D1** Ball dia. - **40** Rail length - **P** Precision Level

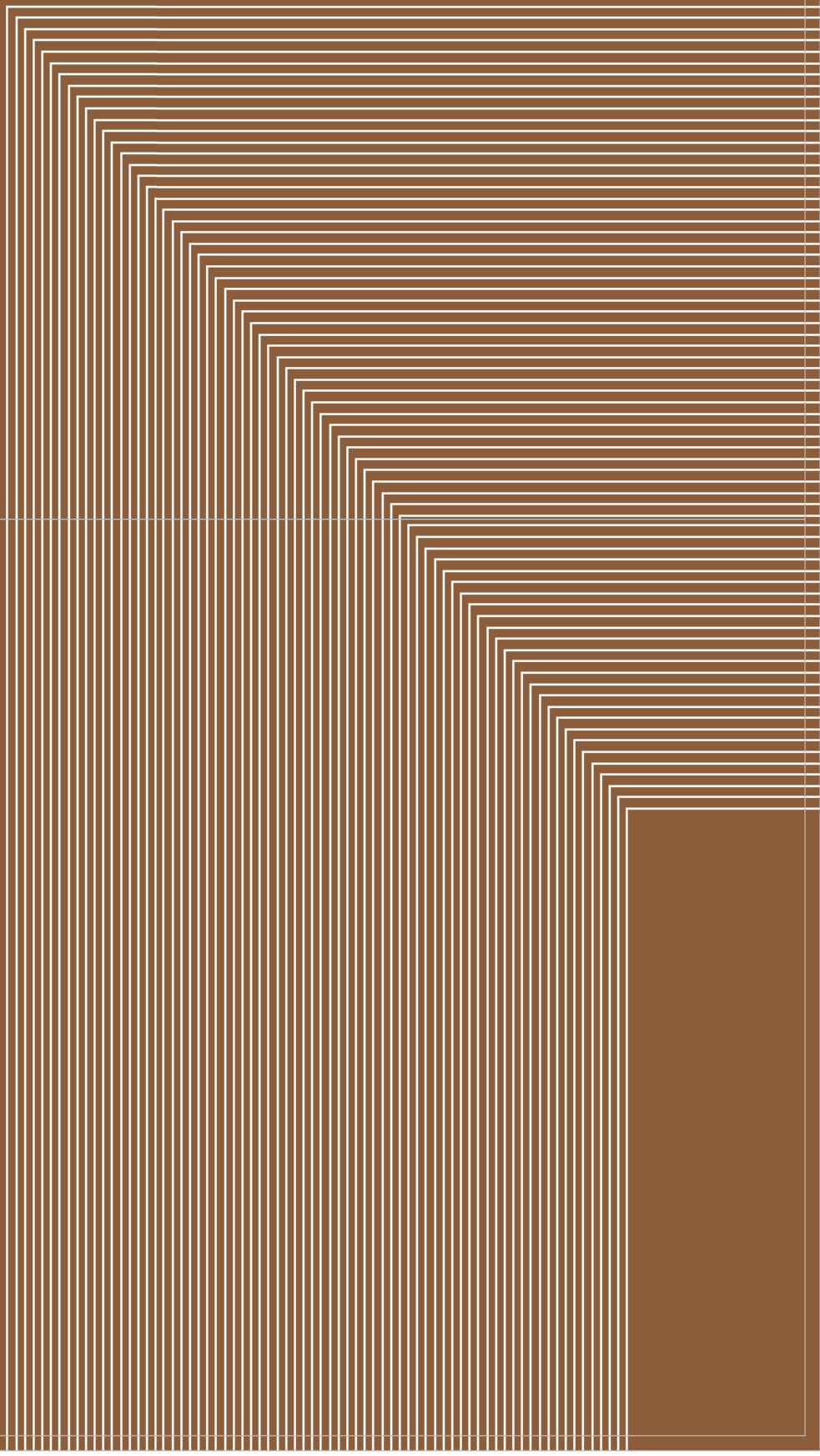
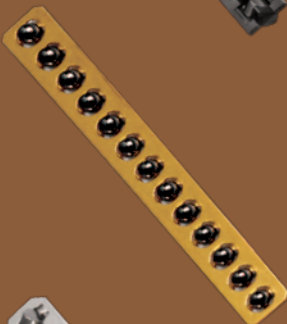


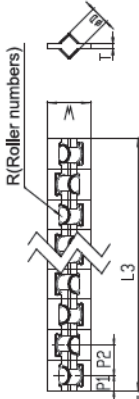
Material Specification

Material Model No.	Component	Rail	Ball Bearing	Retainer
GBD	GBD	SUJ2	SUJ2	Phosphor bronze (C5191)

M	Mounting Dimensions (mm)			Load Per Ball Bearing			Weight (g) / 2 Pieces
	d1	d2	A	B	Basic Dynamic Load Rating	Basic Static Load Rating	
M2	1.65	3	2 ^{3/8"}	1.4	7.6N/1pcs	21N/1pcs	7.0N/1pcs
M3	2.55	4.4	3 ^{3/8"}	2	12N/1pcs	37N/1pcs	12.3N/1pcs
							9
							13
							16
							20
							24
							28
							33
							27
							40
							53
							66
							78
							91
							104
							117
							129
							142
							155

Product
Specification
Retainer





Guide code, EX : GR0206 GR= roller (GB=ball), 02=diameter, 06= roller numbers

Model no.	Retainer dimensions (mm)						Basic dynamic load rating			Basic static load rating			Material standard	
	ØD	P1	P2	T (thickness)	W (width)	N	C	N	N	Co	N	Retainer	Roller	
GRP01	Ø1.5	1.9	3	0.5	3.8	125				144				
GRP02	Ø2.0	2.8	4	0.8	5	293				292				
GRP03	Ø3.0	3.2	5	0.9	7	638				761	POM	SUJ2		
GRP04	Ø4.0	4.3	7	1.4	9.8	1230				1170				
GRP06	Ø6.0	5.4	9	1.9	14	2570				2632				

Model no.	Retainer dimensions (mm)						Model no.	Retainer dimensions (mm)						Rail length	
	ØD	P1	P2	T (thickness)	W (width)	L3 (length)		R (roller qty)	ØD	P1	P2	T (thickness)	W (width)		L3 (length)
GRP0105					15.8	5	GRP01-20						57.6	8	GRP04-80
GRP0107					21.8	7	GRP01-30	GRP0411					78.6	11	GRP04-120
GRP0109					27.8	9	GRP01-40	GRP0414					99.6	14	GRP04-160
GRP0111	Ø1.5	1.9	3	0.5	3.8	33.8	11	GRP01-60	GRP0418				127.6	18	GRP04-200
GRP0113					39.8	13	GRP01-80	GRP0421					148.6	21	GRP04-240
GRP0115					45.8	15	GRP01-70	GRP0424	Ø4	4.3	7	1.4	169.6	24	GRP04-280
GRP0117					51.8	17	GRP01-80	GRP0428					197.6	28	GRP04-320
GRP0205					21.6	5	GRP02-30	GRP0431					218.6	31	GRP04-360
GRP0208					33.6	8	GRP02-45	GRP0434					239.6	34	GRP04-400
GRP0210					41.6	10	GRP02-60	GRP0438					267.6	38	GRP04-440
GRP0212					49.6	12	GRP02-75	GRP0441					288.6	41	GRP04-480
GRP0214					57.6	14	GRP02-90	GRP0607					344.6	47	GRP06-100
GRP0216	Ø2.8	4	0.8	5	65.6	16	GRP02-105	GRP0611					400.6	53	GRP06-150
GRP0218					73.6	18	GRP02-120	GRP0614					456.6	59	GRP06-200
GRP0221					85.6	21	GRP02-135	GRP0617					512.6	65	GRP06-250
GRP0223					93.6	23	GRP02-150	GRP0620					568.6	71	GRP06-300
GRP0225					101.6	25	GRP02-165	GRP0624	Ø6	5.4	9	1.9	624.6	77	GRP06-350
GRP0227					109.6	27	GRP02-180	GRP0627					680.6	83	GRP06-400
GRP0307					36.4	7	GRP03-60	GRP0630					271.8	30	GRP06-450
GRP0310					51.4	10	GRP03-75	GRP0633					298.8	33	GRP06-500
GRP0313					66.4	13	GRP03-100	GRP0636					325.8	36	GRP06-550
GRP0315					76.4	15	GRP03-125	GRP0640					361.8	40	GRP06-600
GRP0318					91.4	18	GRP03-150								
GRP0321	Ø3	3.2	5	0.9	7	106.4	21	GRP03-175							
GRP0324					121.4	24	GRP03-200								
GRP0327					136.4	27	GRP03-225								
GRP0330					151.4	30	GRP03-250								
GRP0333					166.4	33	GRP03-275								
GRP0336					181.4	36	GRP03-300								

Model no.	GRP	02	12
	Roller	Diameter	Roller numbers

★ Customized specification, purchase per appoint roller quantity with the standard roller diameter.