

VİDALI MİL UÇ YATAKLARI

BK

| PARÇA NO | FİYAT |
|----------|----------|
| BK 8 | 71,8 \$ |
| BK 10 | 71,8 \$ |
| BK 12 | 74,9 \$ |
| BK 15 | 90,5 \$ |
| BK 17 | 106,1 \$ |
| BK 20 | 109,3 \$ |
| BK 25 | 131,1 \$ |
| BK 30 | 174,8 \$ |
| BK 40 | 223,9 \$ |



BF

| PARÇA NO | FİYAT |
|----------|----------|
| BF 8 | 31,5 \$ |
| BF 10 | 31,2 \$ |
| BF 12 | 34,3 \$ |
| BF 15 | 40,6 \$ |
| BF 17 | 46,8 \$ |
| BF 20 | 49,9 \$ |
| BF 25 | 59,3 \$ |
| BF 30 | 84,3 \$ |
| BF 40 | 112,4 \$ |



FK

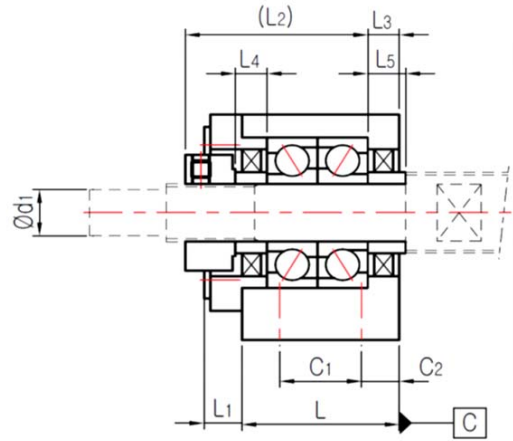
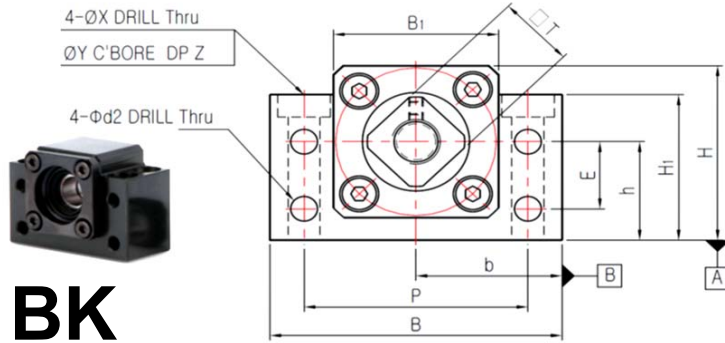
| PARÇA NO | FİYAT |
|----------|----------|
| FK 10 | 72,5 \$ |
| FK 12 | 68,7 \$ |
| FK 15 | 87,4 \$ |
| FK 17 | 99,9 \$ |
| FK 20 | 106,1 \$ |
| FK 25 | 118,6 \$ |
| FK 30 | 149,9 \$ |



FF

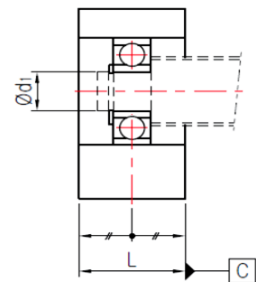
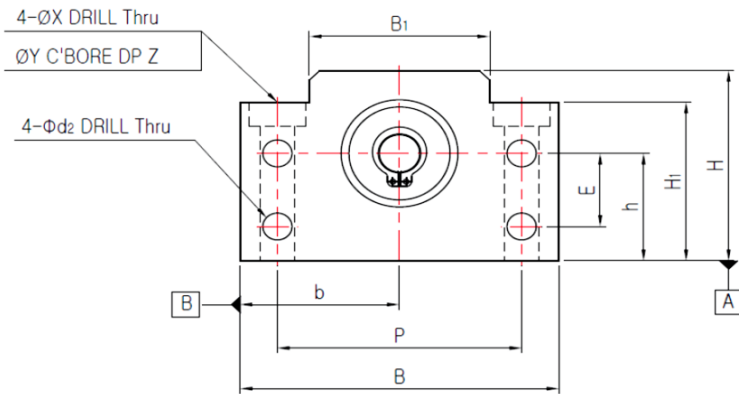
| PARÇA NO | FİYAT |
|----------|---------|
| FF 10 | 22,0 \$ |
| FF 12 | 18,7 \$ |
| FF 15 | 21,9 \$ |
| FF 17 | 23,4 \$ |
| FF 20 | 25,0 \$ |
| FF 25 | 34,3 \$ |
| FF 30 | 43,7 \$ |





BK

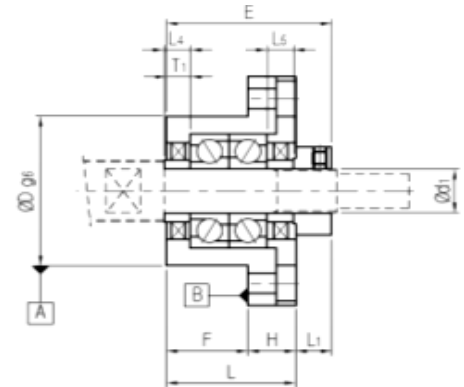
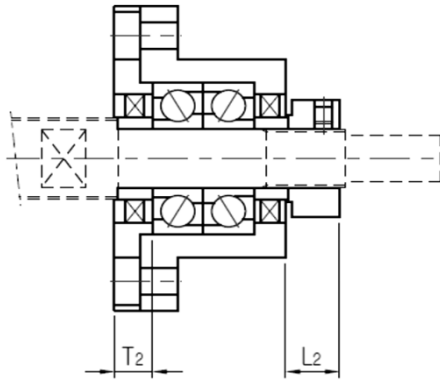
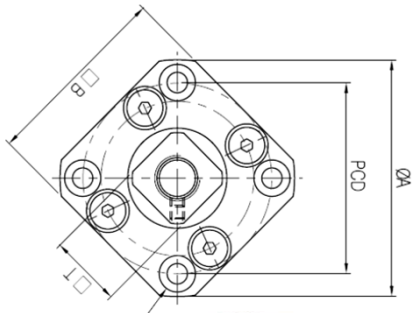
| Model No. | d ₁ | L | L ₁ | L ₂ | L ₃ | B | H | b ± 0.02 | h ± 0.02 | B ₁ | H ₁ | E | P | C ₁ | C ₂ | d ₂ | X | Y | Z | L ₄ | L ₅ | T |
|-----------|----------------|----|----------------|----------------|----------------|-----|-----|----------|----------|----------------|----------------|----|-----|----------------|----------------|----------------|-----|------|------|----------------|----------------|----|
| BK10 | 10 | 25 | 5 | 29 | 5 | 60 | 39 | 30 | 22 | 34 | 32.5 | 15 | 46 | 13 | 6 | 5.5 | 6.6 | 10.8 | 5 | 5 | 5 | 16 |
| BK12 | 12 | 25 | 5 | 29 | 5 | 60 | 43 | 30 | 25 | 34 | 35 | 18 | 46 | 13 | 6 | 5.5 | 6.6 | 10.8 | 6 | 5 | 5 | 19 |
| BK15 | 15 | 27 | 6 | 32 | 6 | 70 | 48 | 35 | 28 | 40 | 38 | 18 | 54 | 15 | 6 | 5.5 | 6.6 | 10.8 | 6 | 6 | 6 | 22 |
| BK17 | 17 | 35 | 9 | 44 | 7 | 86 | 64 | 43 | 39 | 50 | 55 | 28 | 68 | 19 | 8 | 6.6 | 9 | 14 | 8.5 | 7 | 7 | 24 |
| BK20 | 20 | 35 | 8 | 43 | 8 | 88 | 60 | 44 | 34 | 52 | 50 | 22 | 70 | 19 | 8 | 6.6 | 9 | 14 | 8.5 | 8 | 8 | 30 |
| BK25 | 25 | 42 | 12 | 54 | 9 | 106 | 80 | 53 | 48 | 64 | 70 | 33 | 85 | 22 | 10 | 9 | 11 | 17.5 | 11 | 9 | 9 | 35 |
| BK30 | 30 | 45 | 14 | 61 | 9 | 128 | 89 | 64 | 51 | 76 | 78 | 33 | 102 | 23 | 11 | 11 | 14 | 20 | 13 | 9 | 9 | 40 |
| BK35 | 35 | 50 | 14 | 67 | 12 | 140 | 96 | 70 | 52 | 88 | 79 | 35 | 114 | 26 | 12 | 11 | 14 | 20 | 13 | 12 | 12 | 50 |
| BK40 | 40 | 61 | 18 | 76 | 15 | 160 | 110 | 80 | 60 | 100 | 90 | 37 | 130 | 33 | 14 | 14 | 18 | 26 | 17.5 | 15 | 15 | 50 |



BF

| Model No. | d ₁ | L | B | H | b ± 0.02 | h ± 0.02 | B ₁ | H ₁ | E | P | d ₂ | X | Y | Z | Rulman |
|-----------|----------------|----|-----|-----|----------|----------|----------------|----------------|----|-----|----------------|-----|------|------|--------|
| BF10 | 8 | 20 | 60 | 39 | 30 | 22 | 34 | 32.5 | 15 | 46 | 5.5 | 6.6 | 10.8 | 5 | 608ZZ |
| BF12 | 10 | 20 | 60 | 43 | 30 | 25 | 34 | 35 | 18 | 46 | 5.5 | 6.6 | 10.8 | 6.5 | 6000ZZ |
| BF15 | 15 | 20 | 70 | 48 | 35 | 28 | 40 | 38 | 18 | 54 | 5.5 | 6.6 | 10.8 | 6.5 | 6002ZZ |
| BF17 | 17 | 23 | 86 | 64 | 43 | 39 | 50 | 55 | 28 | 68 | 6.6 | 9 | 14 | 8.5 | 6203ZZ |
| BF20 | 20 | 26 | 88 | 60 | 44 | 34 | 52 | 50 | 22 | 70 | 6.6 | 9 | 14 | 8.5 | 6004ZZ |
| BF25 | 25 | 30 | 106 | 80 | 53 | 48 | 64 | 70 | 33 | 85 | 9 | 11 | 17.5 | 11 | 6205ZZ |
| BF30 | 30 | 32 | 128 | 89 | 64 | 51 | 76 | 78 | 33 | 102 | 11 | 14 | 20 | 13 | 6206ZZ |
| BF35 | 35 | 32 | 140 | 96 | 70 | 52 | 88 | 79 | 35 | 114 | 11 | 14 | 20 | 13 | 6207ZZ |
| BF40 | 40 | 37 | 160 | 110 | 80 | 60 | 100 | 90 | 37 | 130 | 14 | 18 | 26 | 17.5 | 6208ZZ |



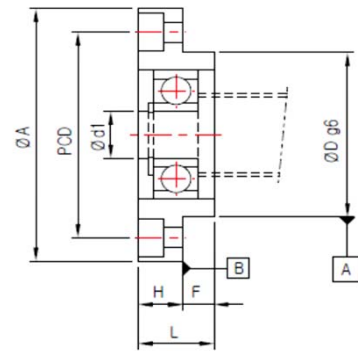
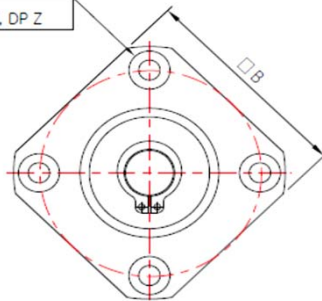


FK

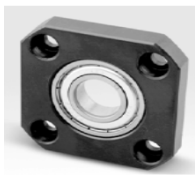


| Model No. | d ₁ | L | H | F | E | D | A | PCD | B | L ₁ | T ₁ | L ₂ | T ₂ | X | Y | Z | L ₄ | L ₅ | T |
|-----------|----------------|----|----|----|------|----|-----|-----|----|----------------|----------------|----------------|----------------|-----|------|----|----------------|----------------|----|
| FK10 | 10 | 27 | 10 | 17 | 29.5 | 34 | 52 | 42 | 42 | 7.5 | 5 | 8.5 | 6 | 4.5 | 8 | 4 | 5.5 | 5.5 | 16 |
| FK12 | 12 | 27 | 10 | 17 | 29.5 | 36 | 54 | 44 | 44 | 7.5 | 5 | 8.5 | 6 | 4.5 | 8 | 4 | 5.5 | 5.5 | 19 |
| FK15 | 15 | 32 | 15 | 17 | 36 | 40 | 63 | 50 | 52 | 10 | 6 | 12 | 8 | 5.5 | 9.5 | 6 | 10 | 10 | 22 |
| FK17 | 17 | 45 | 22 | 23 | 46 | 50 | 77 | 62 | 61 | 10 | 9 | 13 | 12 | 6.6 | 11 | 10 | 9 | 9 | 24 |
| FK20 | 20 | 52 | 22 | 30 | 50 | 57 | 85 | 70 | 68 | 8 | 10 | 12 | 14 | 6.6 | 11 | 10 | 11 | 11 | 30 |
| FK25 | 25 | 57 | 27 | 30 | 60 | 63 | 98 | 80 | 79 | 13 | 10 | 20 | 17 | 9 | 15 | 13 | 15 | 15 | 35 |
| FK30 | 30 | 62 | 30 | 32 | 61 | 75 | 117 | 95 | 93 | 11 | 12 | 17 | 18 | 11 | 17.5 | 15 | 9 | 9 | 40 |

4-OX DRILL, THRU
ØY C BORE, DP Z



FF



| Model No. | d ₁ | L | H | F | D | A | PC D | B | X | Y | Z | Rulman |
|-----------|----------------|----|----|----|----|-----|------|----|-----|------|-----|--------|
| FF10 | 8 | 12 | 7 | 5 | 28 | 43 | 35 | 35 | 3.4 | 6.5 | 4 | 608ZZ |
| FF12 | 10 | 15 | 7 | 8 | 34 | 52 | 42 | 42 | 4.5 | 8 | 4 | 6000ZZ |
| FF15 | 15 | 17 | 9 | 8 | 40 | 63 | 50 | 52 | 5.5 | 9.5 | 5.5 | 6002ZZ |
| FF17 | 17 | 20 | 11 | 9 | 50 | 77 | 62 | 61 | 6.5 | 11 | 6.5 | 6203ZZ |
| FF20 | 20 | 20 | 11 | 9 | 57 | 85 | 70 | 68 | 6.6 | 11 | 6.5 | 6204ZZ |
| FF25 | 25 | 24 | 14 | 10 | 63 | 98 | 80 | 79 | 9 | 14 | 8.5 | 6205ZZ |
| FF30 | 30 | 27 | 18 | 9 | 75 | 117 | 95 | 93 | 11 | 17.5 | 11 | 6206ZZ |

